

PRODUCT CATALOG

BC SYSTEM

Dental Implant System

leveres i Norge av: Best Dental Trading 8203 Fauske Boks 704

www.bestdental.no

Tel: 75 64 65 66 E-mail: bestdental@bestdental.no

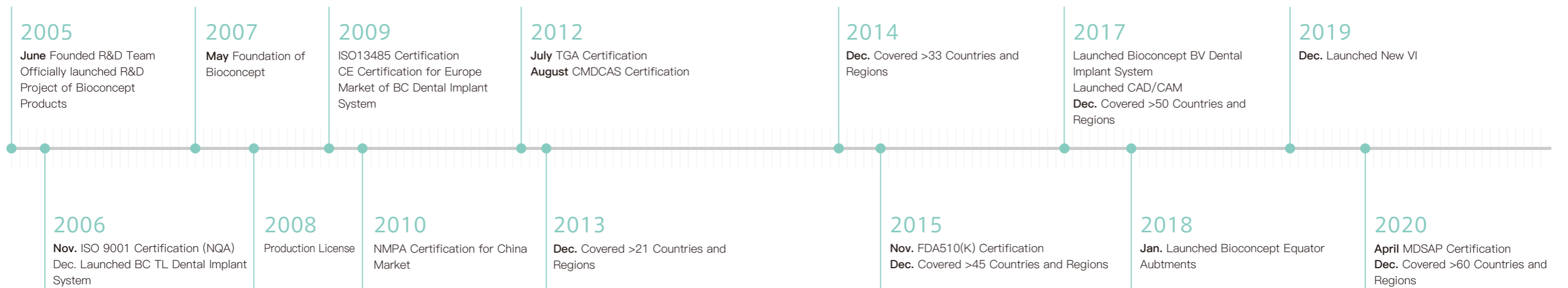
Bioconcept is Present In More Than **60** Countries

World-class Manufacturing Precision
Consistent Clinical Outcomes
Perfect and Timely Delivery Service Whenever and Wherever You Need



Global Quality Guaranteed
Benefit More People

Company Development



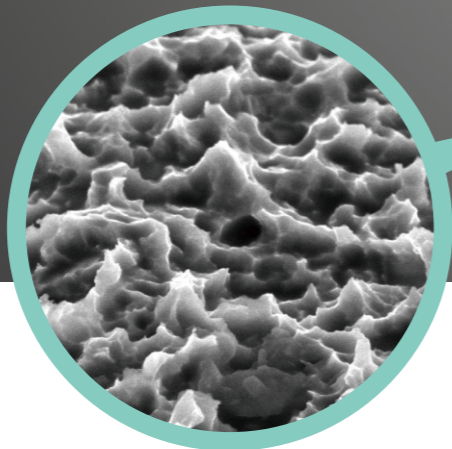
Perfect Quality Control Reliable Clinical Effects

Strict Quality Control

- S-L-A Surface
- Screw Loosening Test
- Abutment Subsidence Test
- Conical Surface Gap Test
- Fatigue Test

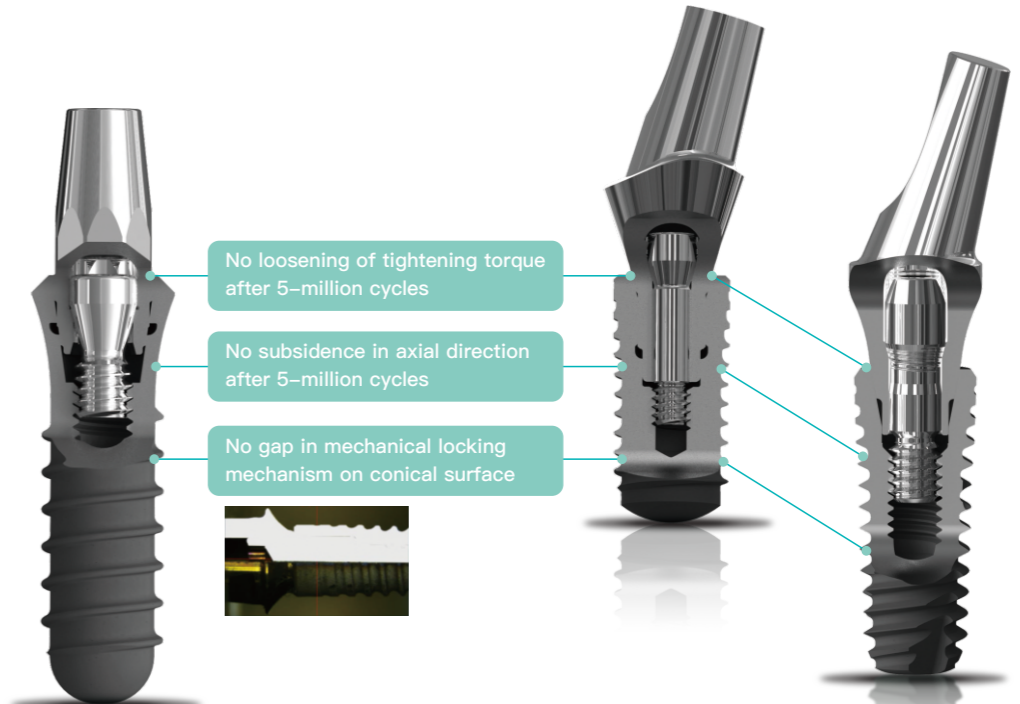
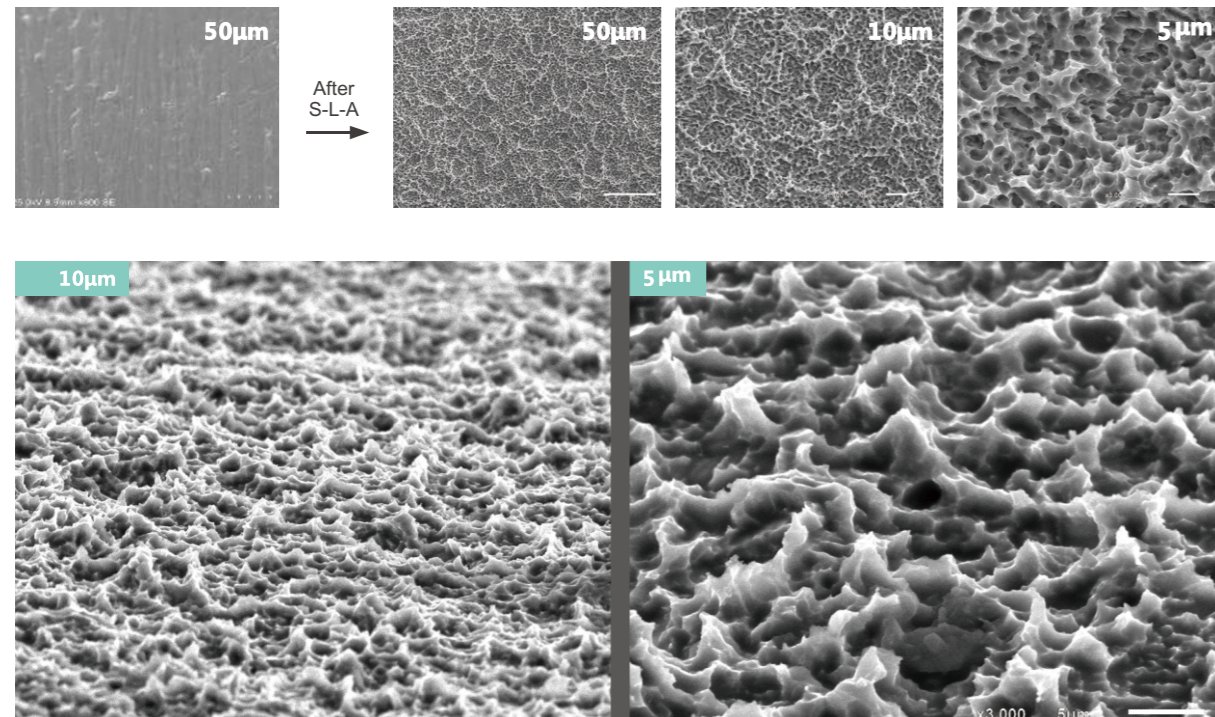
S-L-A Surface Treatment

- Golden standard S-L-A treatment Promote
- bidirectional osseointegration
- Reduce the incidence rate of peri-implantitis



FATIGUE TESTING

The fatigue performance of Bioconcept dental implant system and the anti-loosening performance of central screws is among the best in the market.



No loosening of tightening torque after 5-million cycles

No subsidence in axial direction after 5-million cycles

No gap in mechanical locking mechanism on conical surface



No Loosening of Screw

Reduce abutment breakage caused by screw loosening or screw breakage

No Subsidence of Abutment

Avoid bacterial invasion into dental implant
Prevent gingival infection caused by wear at boundary of abutment

No Gap in Mechanical Surface

Locking Mechanism and Conical Surface Reduce stress between the alveolar ridge and the dental implant
Reduce the incidence rate of peri-implantitis

BC-Tissue Level Implant System



BC-Bone Level Implant System



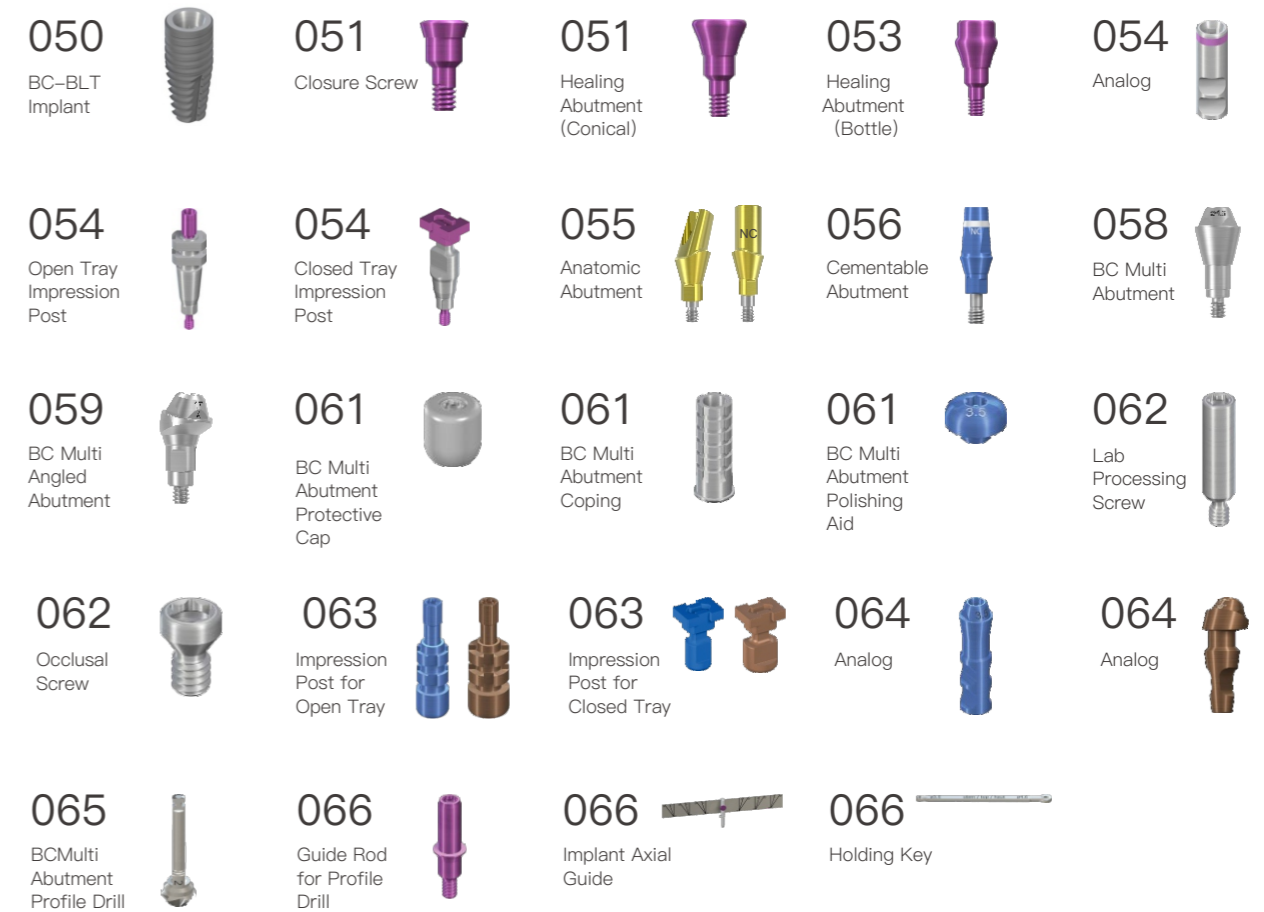
BC-TBL Surgical Kit



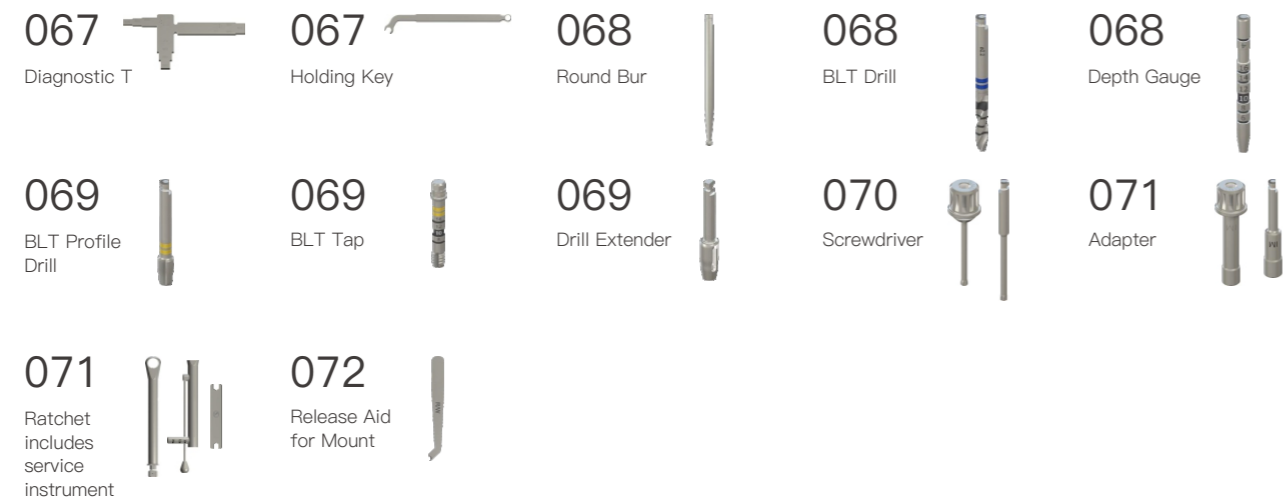
BC-Prosthetic KIT



BC-Bone Level Tapered Implant System



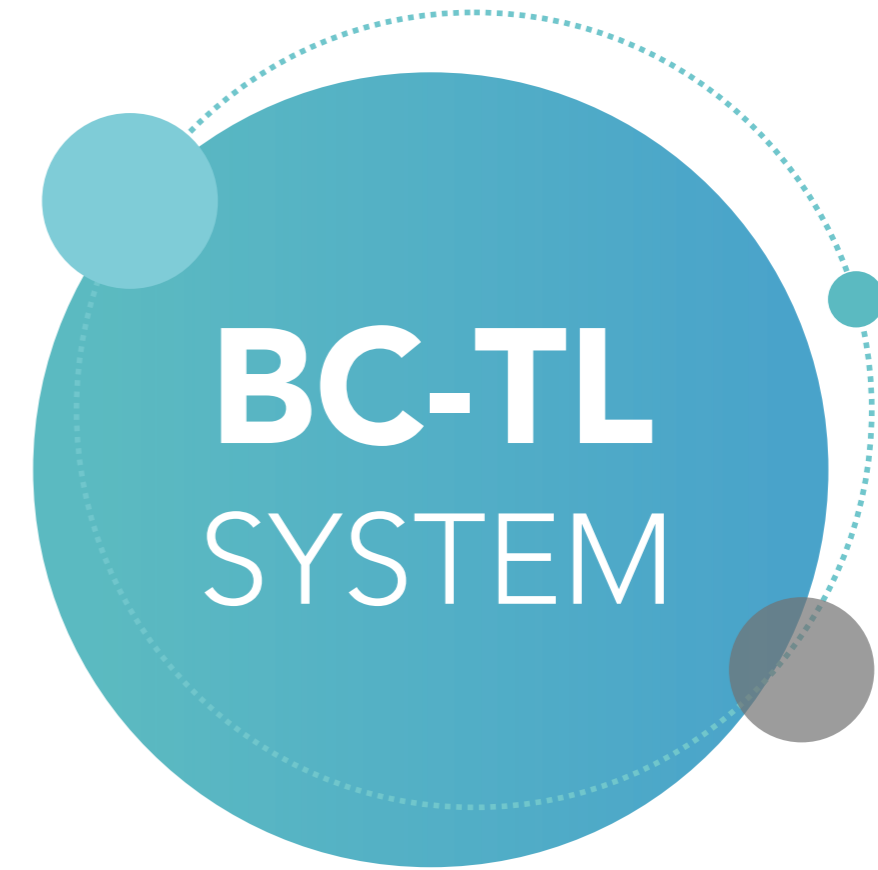
BC-BLT Surgical Kit



Equator Abutment Series



Tibase

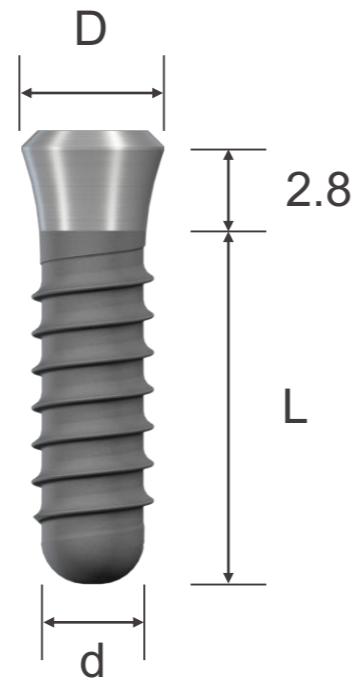


BC-Tissue Level Implant System

- 010 BC Standard Implant
- 011 BC Standard Plus Implant
- 012 Closure Screw
- 012 Healing Cap
- 014 Transfer Parts
- 014 Open Tray Impression Cap
- 015 Closed Tray Impression Cap
- 016 Octagon Plastic Coping for Cementable Abutment (Plastic Shoulder)
- 016 Octagon Cementable Abutment & Ti-Abutment
- 017 Octagon Plastic Coping for Angled Abutment (Plastic Shoulder)
- 018 Octagon Angled Abutment
- 019 Octagon Plastic Coping for Octagon 1.5 Abutment (Plastic Shoulder)
- 019 Octagon 1.5 Abutment

BC Standard Implant

- Neck Height of BC Standard implant is 28mm, suitable for classic 1-time surgery
- Octagonal inner connection, applied with corresponding prosthetic components
- 8° Morse Taper, Thread
- Interval: 1-125mm
- S-L-A Surface
- Gr.4 Pure Titanium
- No need to use profile drill
- Please refer to implant diameter (D) for orders. Different diameters, different code colors.
 - Yellow — Ø3.3
 - Red — Ø4.1
 - Green — Ø4.8

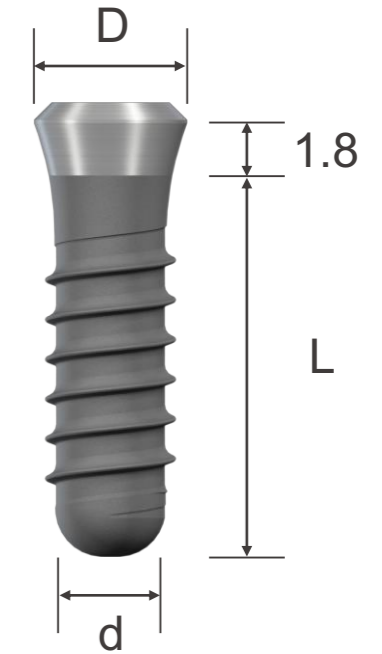


- RN** Regular Neck
- WN** Wide Neck

L \ d	Ø 3.3	Ø 4.1	Ø 4.8	Ø 4.8
D	Ø 4.8	Ø 4.8	Ø 4.8	Ø 6.5
	RN	RN	RN	WN
6	—	013060	013120	013170
8	013010	013070	013130	013180
10	013020	013080	013140	013190
12	013030	013090	013150	013200
14	013040	013100	013160	—
16	013050	013110	—	—

BC Standard Plus Implant

- BNeck height of BC standard plus implant is 18mm
- Convenient for flexible implantation
- Promote transgingival and subgingival healing
- Particularly suitable for use in anterior maxilla in the esthetic region
- Octagonal outer connection, applied with specific(NNI) prosthetic components
- 3.3mm(NN)are used for narrow interdental spaces
- Octagonal outer connection, applied with specific(NNI) prosthetic components
- 8° Morse Taper,
- Thread interval: 1-125mm
- S-L-A Surface
- Gr.4 Pure Titanium
- Please refer to implant diameter (D) for orders. Different diameters, different code colors.
 - Yellow — Ø3.3
 - Red — Ø4.1
 - Green — Ø4.8



- NN** Narrow Neck
- RN** Regular Neck
- WN** Wide Neck

L \ d	Ø 3.3	Ø 3.3	Ø 4.1	Ø 4.8	Ø 4.8
D	Ø 3.5	Ø 4.8	Ø 4.8	Ø 4.8	Ø 6.5
	NN	RN	RN	RN	WN
6	—	—	012050	012100	012150
8	011010	012010	012060	012110	012160
10	011020	012020	012070	012120	012170
12	011030	012030	012080	012130	012180
14	011040	012040	012090	012140	—

Closure Screw & Healing Cap

Closure Screw

- Torx screwdriver
- Suitable for embedded therapy
- Tightening torque: 5–10Ncm

RN



022010

RN Regular Neck

WN Wide Neck

WN



023010

Healing Cap

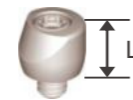
- Torx screwdriver
- Suitable for non-embedded therapy, even for subgingival dental implantation
- The labial bevel can speed up accurate healing of soft tissue on the healing cap, and ensure no tension on the vestibular wound to prevent mucosa necrosis
- Tightening Torque: 5–10Ncm

NN



021020

Regular



Labia Bevel

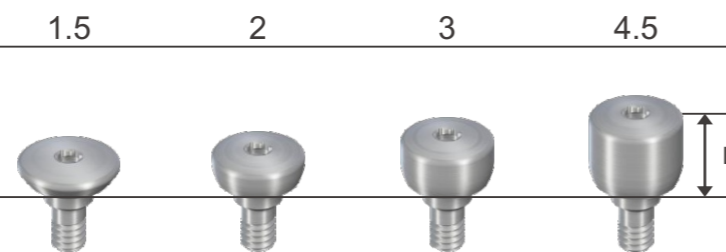
021030

NN Narrow Neck

RN Regular Neck

WN Wide Neck

RN



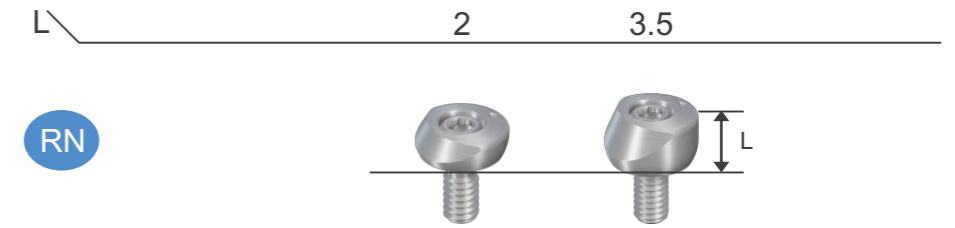
Regular

022020

022030

022040

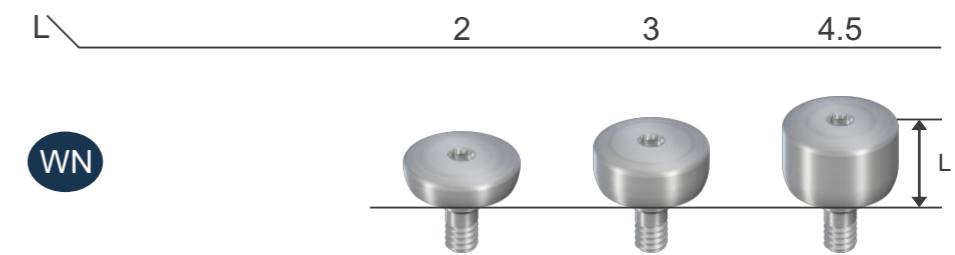
022050



Labia Bevel

022060

022070



Regular

023020

023030

023040

Labia Bevel

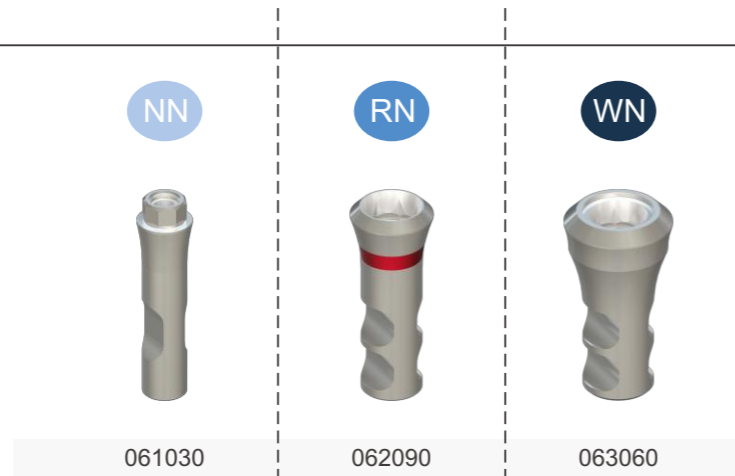
023050

Transfer Parts

Implant Analog

- Accurately reproduce the position and orientation of the implant in the oral cavity on the model

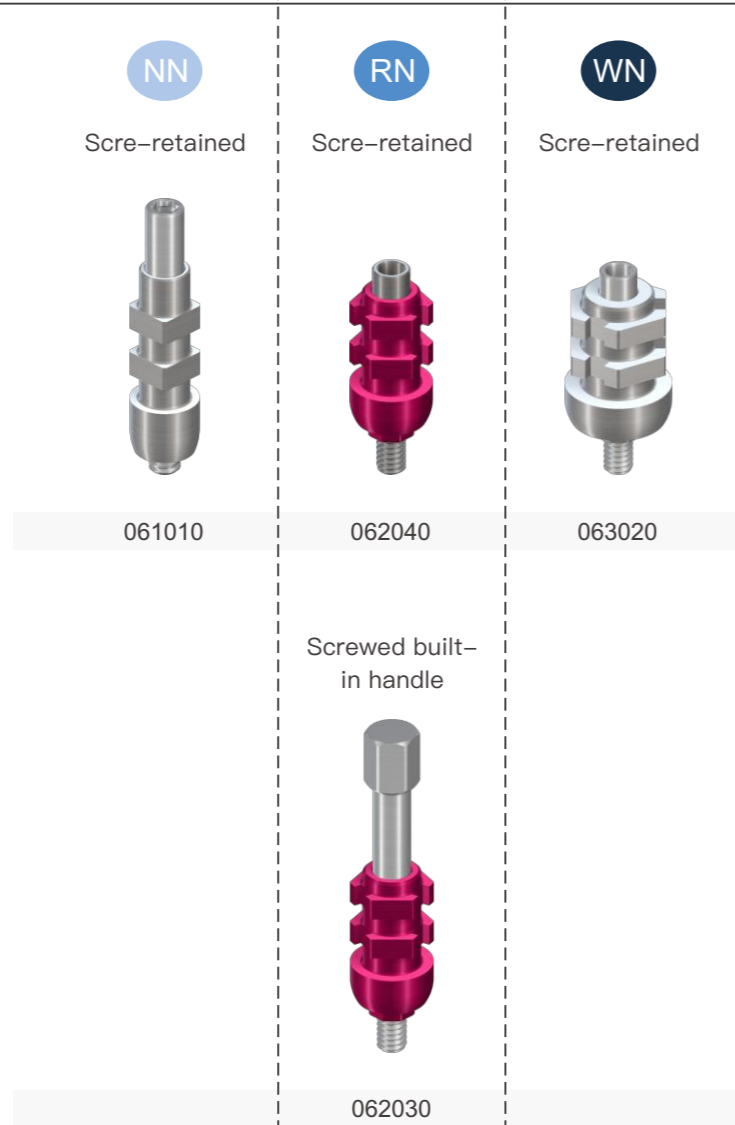
- NN** Narrow Neck
- RN** Regular Neck
- WN** Wide Neck



Open Tray Impression Cap

- Need to make an open personalized tray
- Disposable
- Need to prepare the open tray
- Packing specification: Impression
- Cap + Guide Screw

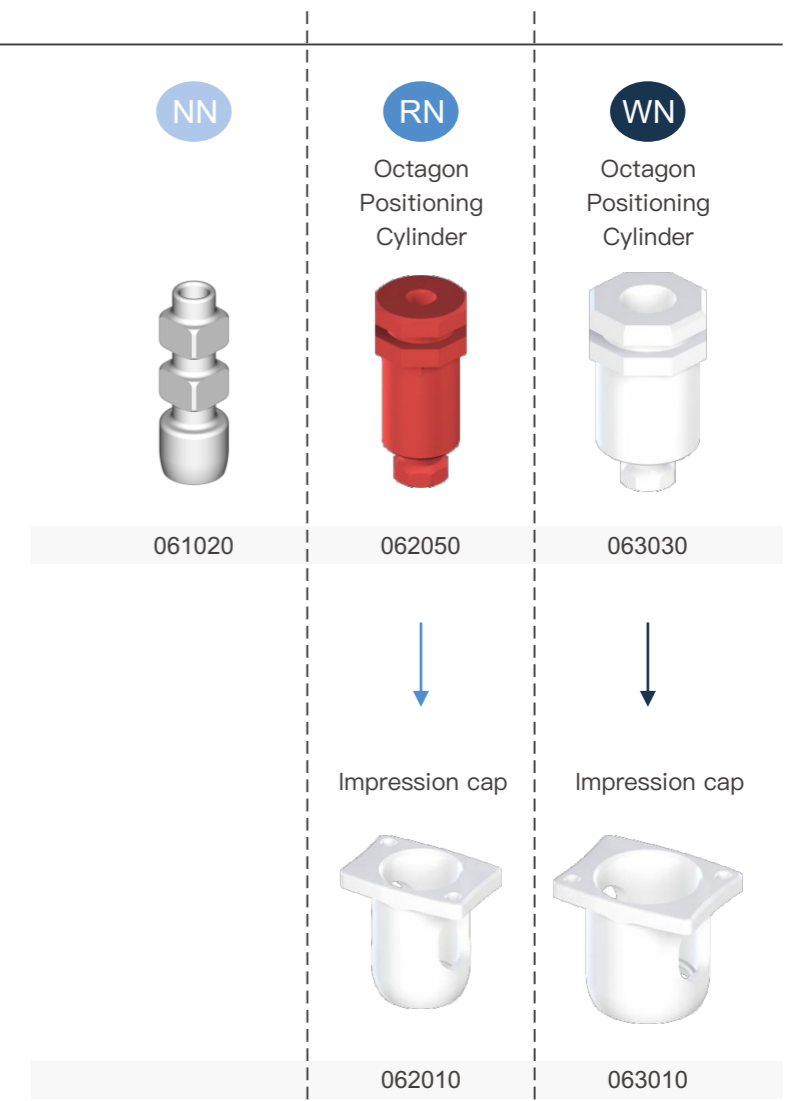
- NN** Narrow Neck
- RN** Regular Neck
- WN** Wide Neck



Closed Tray Impression Cap

- Plastic parts are disposable and cannot be sterilized and reused
- Must protect from light and heat to prevent damages to plastic parts (poor elasticity or embrittlement)

- NN** Narrow Neck
- RN** Regular Neck
- WN** Wide Neck



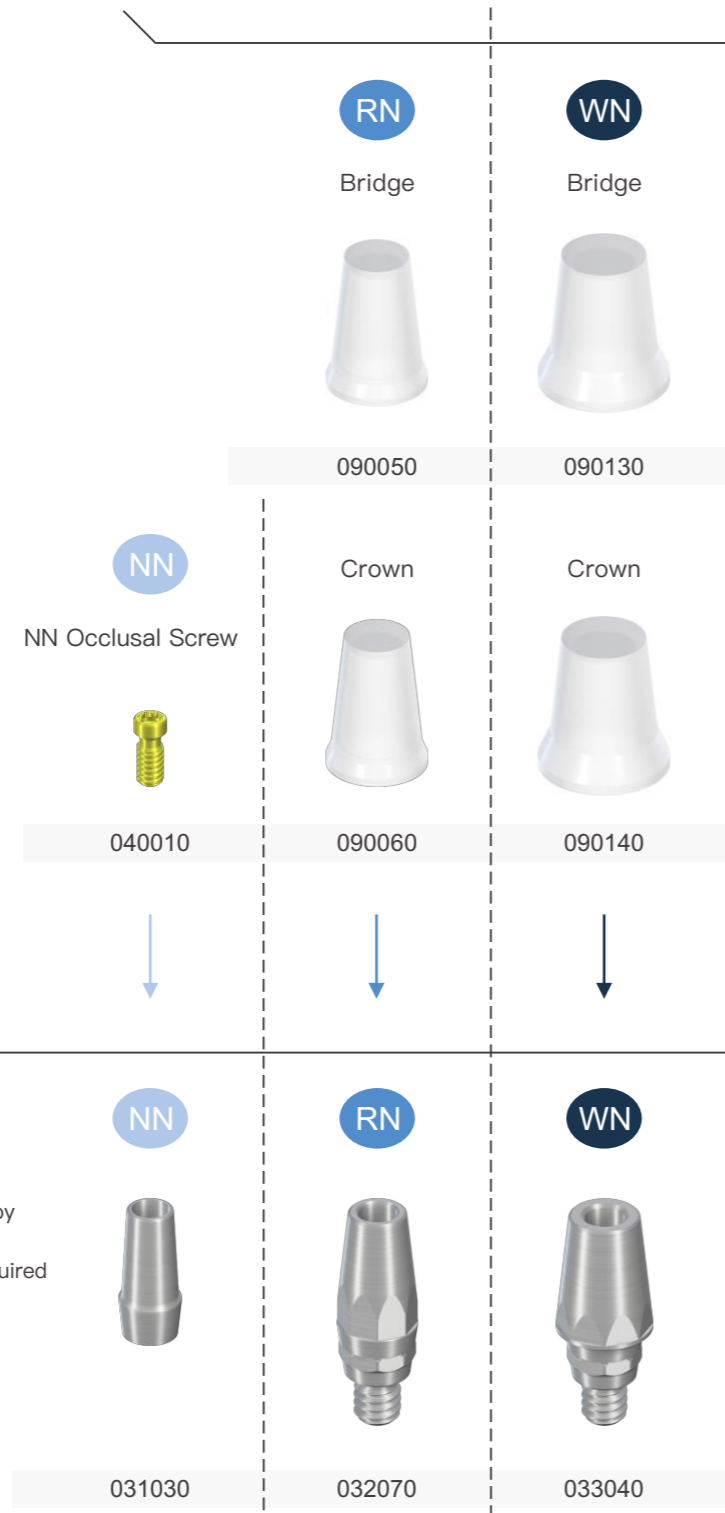
Octagon Cementable Abutment & Ti-Abutment & Plastic Coping (Plastic Shoulder)

Plastic Coping (Plastic Shoulder)

- Plastic coping is modeled by combustible plastics, and can be shortened as required

RN Regular Neck

WN Wide Neck



Octagon Cementable Abutment & Ti-Abutment

- Suitable for cement-retained crown and bridge
- 8° Morse Taper
- Octagonal inner connection
- The abutment must be accurately positioned by Octagonal connection while tightening
- The abutment can be polished by 2mm as required
- Tightening torque: 35Ncm

NN Narrow Neck

RN Regular Neck

WN Wide Neck

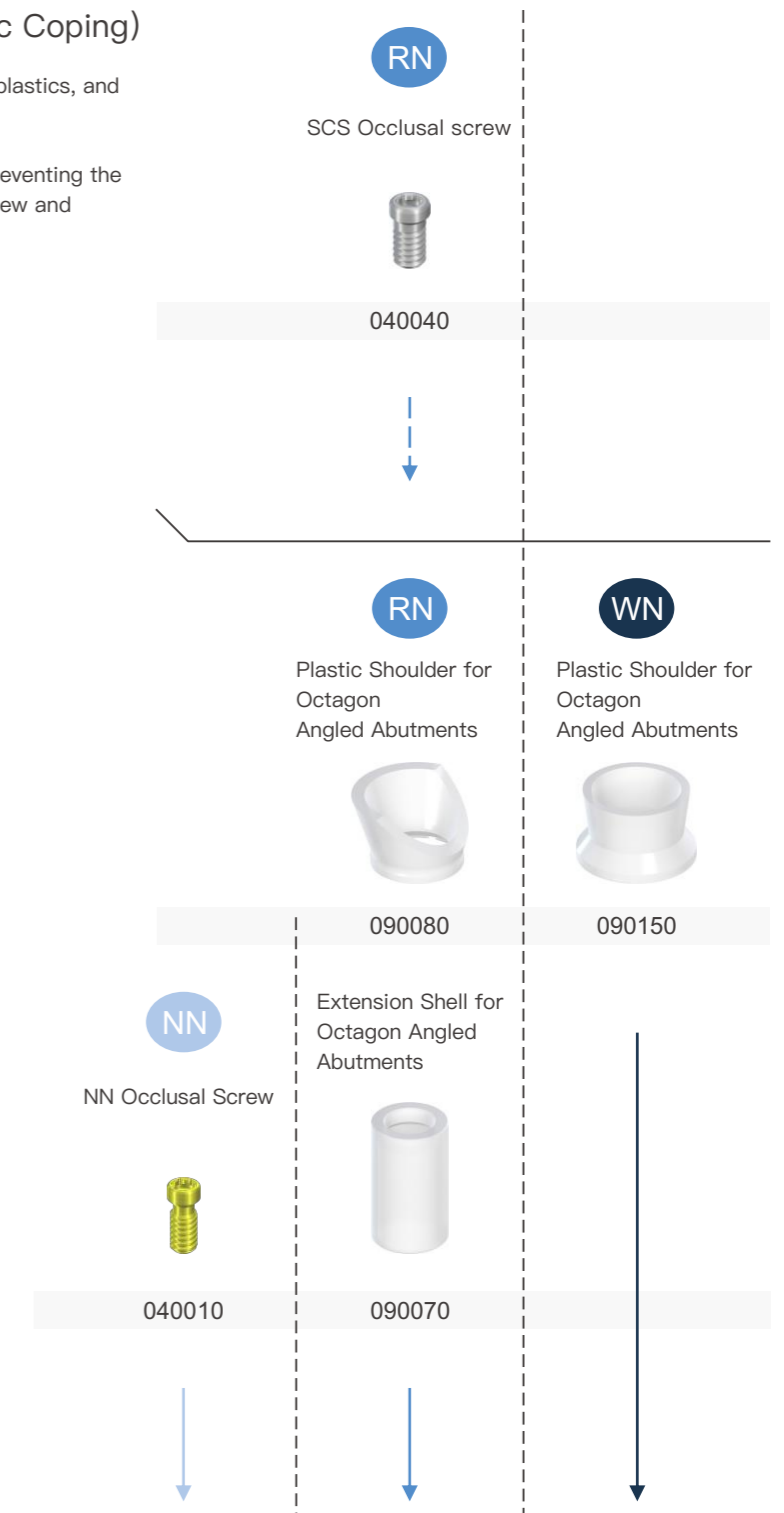
Octagon Plastic Coping for Angled Abutment (Plastic Shoulder)

Plastic Coping (Burn-out Plastic Coping)

- Plastic coping is modeled by combustible plastics, and can be shortened as required
- Octagonal inner connection
- Need to twist the occlusal screw gently, preventing the deformation of 45° shoulder of occlusal screw and plastic coping

RN Regular Neck

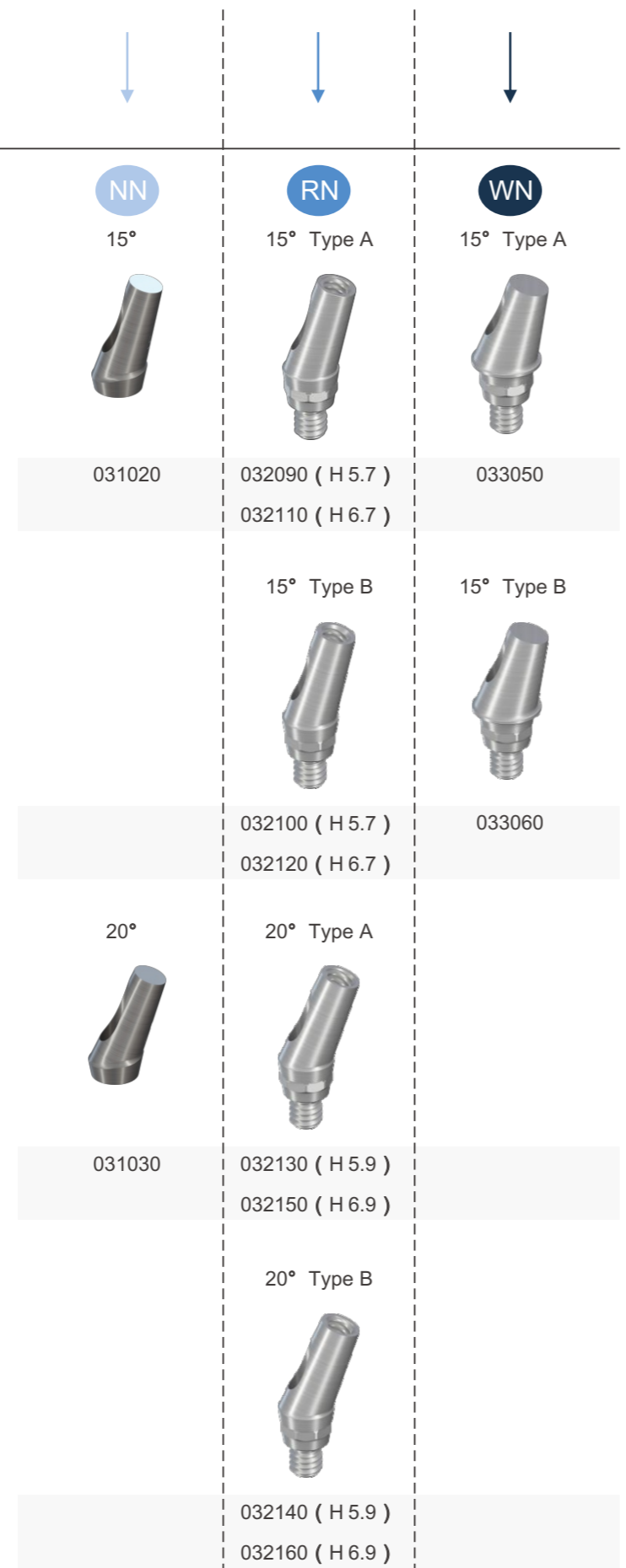
WN Wide Neck



Octagon Angled Abutment

- Suitable for cement-retained or screw-retained crown and bridge
- 8° Morse Taper
- Octagonal inner connection
- The angled abutments provided 2 angles (A and B) for 16 directions
- The angled abutments cannot be polished or adjusted
- Torx screwdriver
- Tightening torque: 35Ncm

- NN** Narrow Neck
- RN** Regular Neck
- WN** Wide Neck

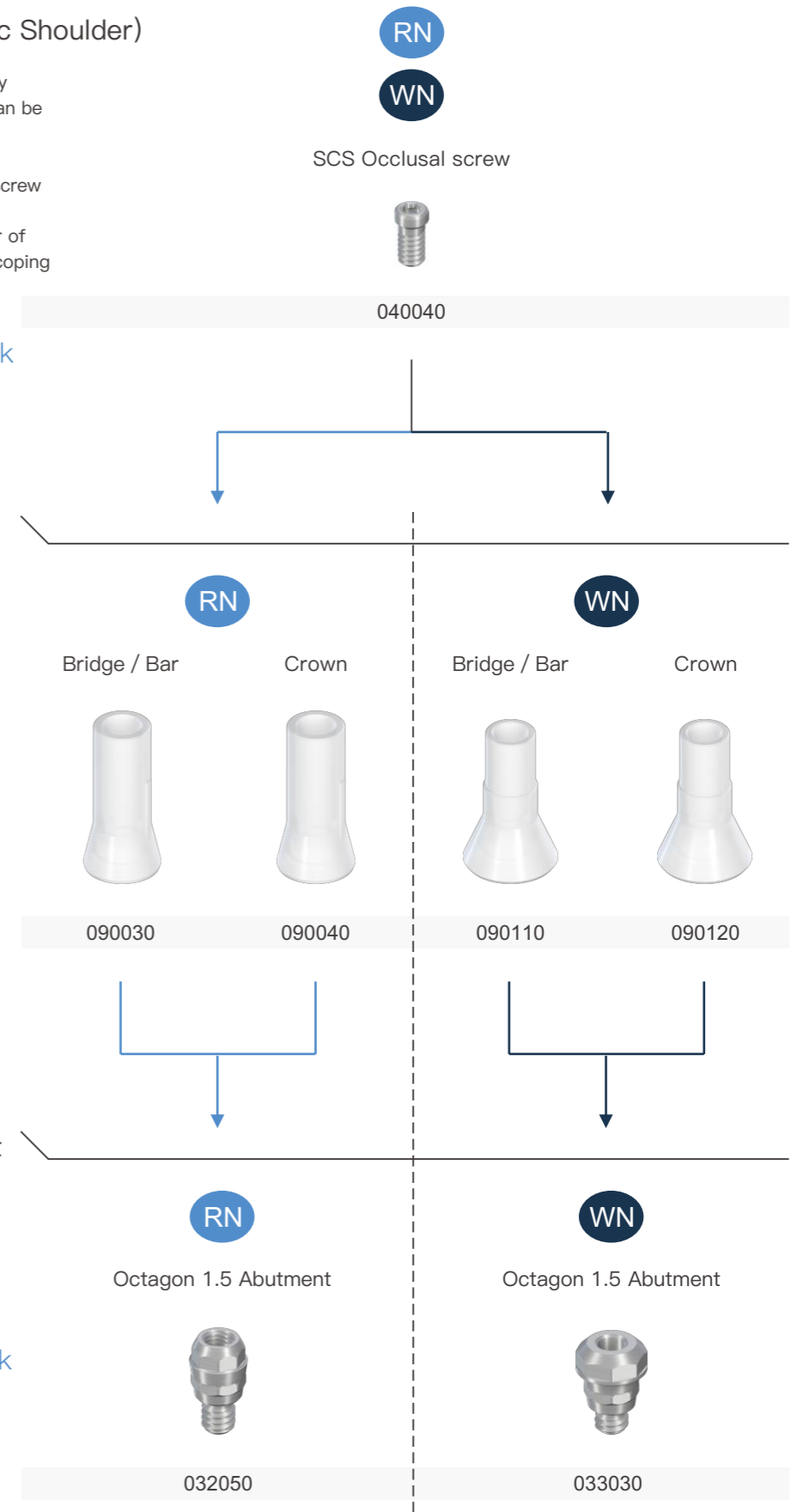


Octagon Plastic Coping for Octagon 1.5 Abutment (Plastic Shoulder)

Plastic Coping (Plastic Shoulder)

- Plastic coping is modeled by combustible plastics, and can be shortened as required
- Octagonal inner connection
- Need to twist the occlusal screw gently, preventing the deformation of 45° shoulder of occlusal screw and plastic coping

- RN** Regular Neck
- WN** Wide Neck

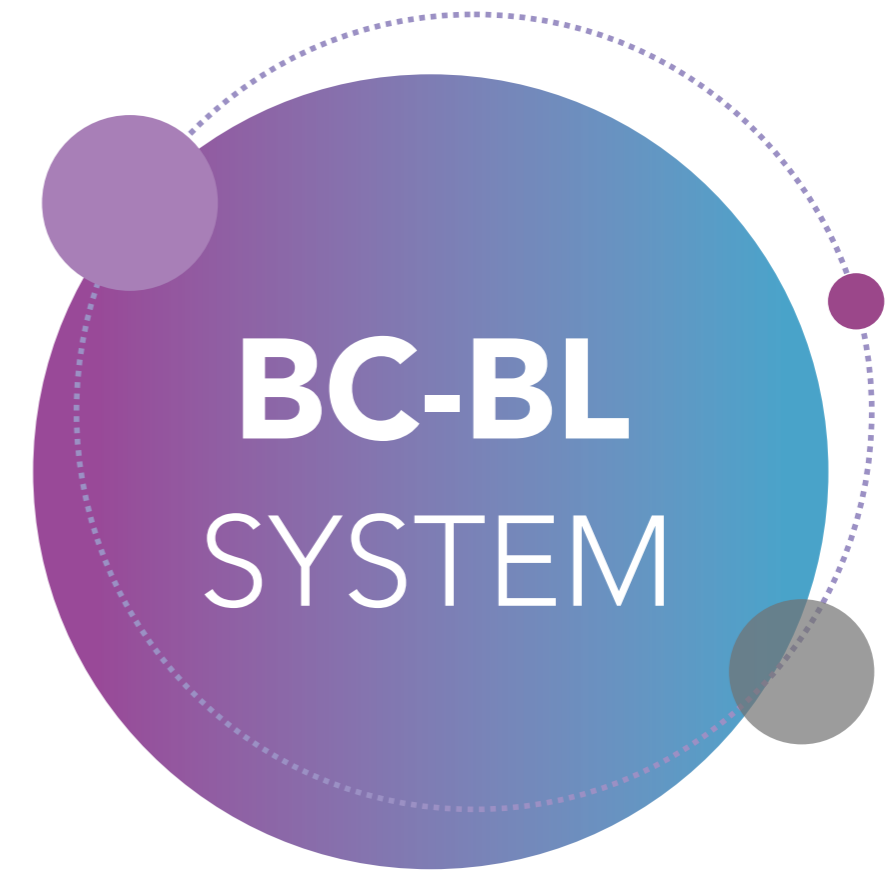


Octagon 1.5 Abutment

- Octagonal inner connection
- 8° Morse Taper
- Suitable for screw-retained crown and bridge

- RN** Regular Neck
- WN** Wide Neck

Bioconcept



BC–Bone Level Implant System

022 BC Bone Level Implant
023 Closure Screw
023 Healing Abutment (Conical)
025 Healing Abutment (Bottle)
026 Analog
026 Open Tray Impression Post
026 Closed Tray Impression Post
027 Anatomic Abutment
028 Cementable Abutment
030 Cementable Abutment
031 BC Multi Abutment
033 BC Multi Angled Abutment
033 BC Multi Abutment Protective Cap
033 BC Multi Abutment Coping
034 BC Multi Abutment Polishing Aid
034 Lab Processing Screw
035 Occlusal Screw
035 Impression Post for Open Tray
036 Impression Post for Closed Tray
036 Analog
037 BC Multi Abutment Profile Drill
038 Guide Rod for Profile Drill
038 Implant Axial Guide
038 Holding Key

BC–Surgical Kit

039 Diagnostic T
039 Distance Indicator
040 Drill
040 Depth Gauge
041 SP Profile Drill
041 BL Profile Drill
042 S/SP Tap
042 BL Tap
043 Adapter
043 Ratchet with Service Instrument
044 Screwdriver
044 Holding Key
045 Tweezers
045 Distance Indicator

BC–Prosthetic KIT

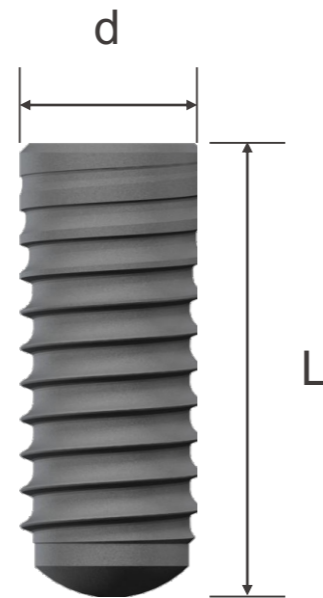
046 Screwdriver for handpiece
046 Screwdriver for Ratchet
047 Solid abutment driver
047 Equator Abutment Wrench

BC Bone Level Implant

- Suitable for BL therapy for trans-gingival and subgingival healing
- CrossFit connection, applied with corresponding prosthetic components
- Cylindrical External Profile; Thread interval: 0.8mm
- S-L-A Surface
- Gr.4 Pure Titanium

- Please refer to implant diameter (d) for orders.
- Different diameters, different code colors.

- Yellow — Ø3.3
- Red — Ø4.1
- Green — Ø4.8



- NC Narrow Connection
- RC Regular Connection

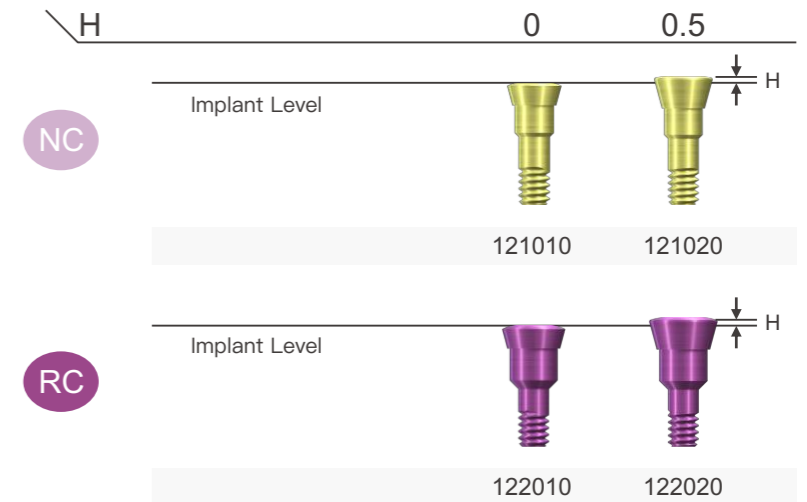
L \ d	3.3	4.1	4.8
	NC	RC	RC
8	111010	112010	113010
10	111020	112020	113020
12	111030	112030	113030
14	111040	112040	113040

Closure Screw & Healing Abutment

Closure Screw

- Torx screwdriver
- Suitable for embedded therapy
- If bone substance is expected to cover the closure screw, it is recommended to use the closure screw H0.5mm on the deeper implant
- Tightening torque: 5–10Ncm

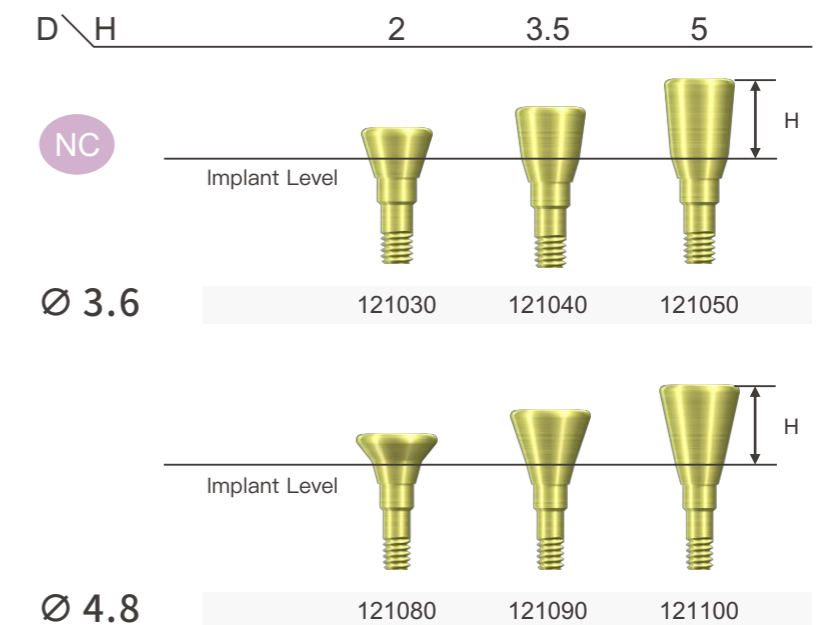
- NC Narrow Connection
- RC Regular Connection

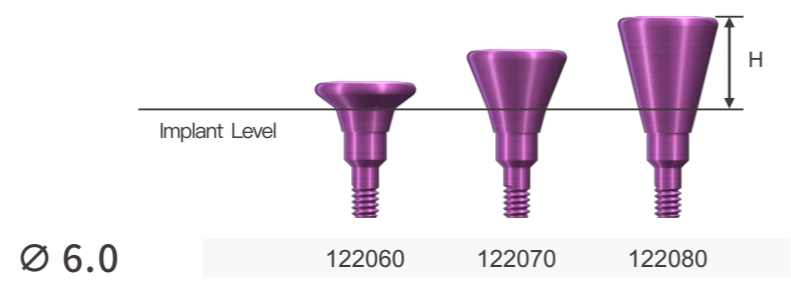
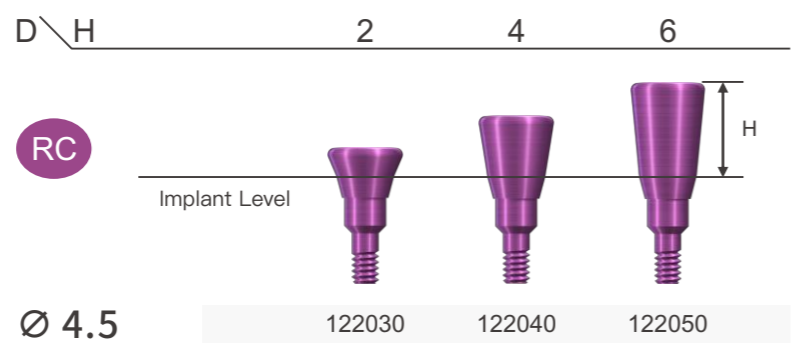


Healing Abutment (Conical)

- Torx screwdriver
- Suitable for non-embedded therapy
- Healing abutment can match perfectly with prosthetic components, and realize simple and reliable soft tissue formation
- Tightening torque: 5–10Ncm

- NC Narrow Connection
- RC Regular Connection



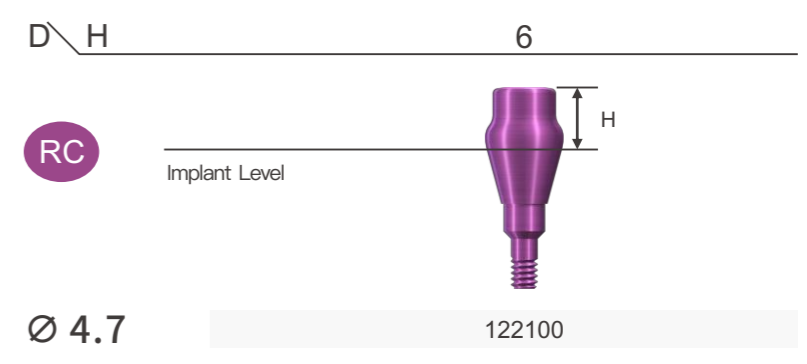
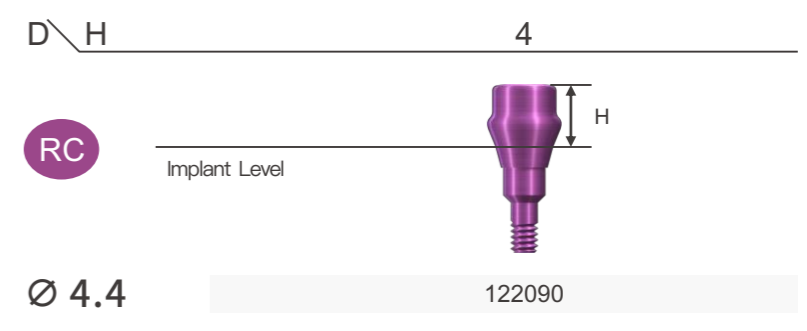


Healing Abutment (Bottle)

- Torx screwdriver
- Suitable for non-embedded therapy
- Bottle healing abutment can slightly promote the soft tissue hyperplasia, contributing to the preformation of soft tissue
- Tightening torque: 5-10Ncm

NC Narrow Connection

RC Regular Connection

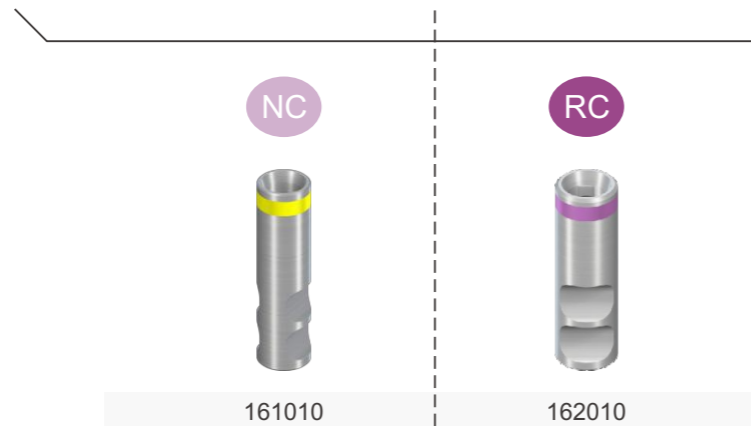


Transfer Parts

Analog

- Accurately reproduce the position and orientation of the implant in the oral cavity on the model

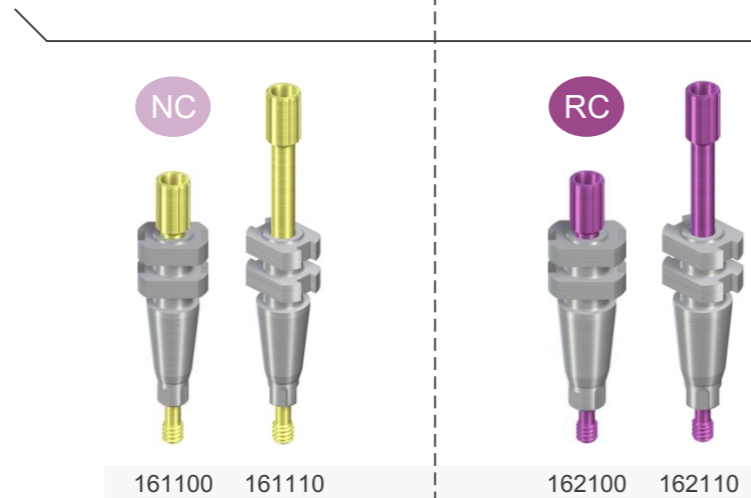
- NC Narrow Connection
- RC Regular Connection



Open Tray Impression Post

- The slender contour of the gingival margin can cope with limited space
- Torx screwdriver
- Disposable
- Need to prepare Open Tray

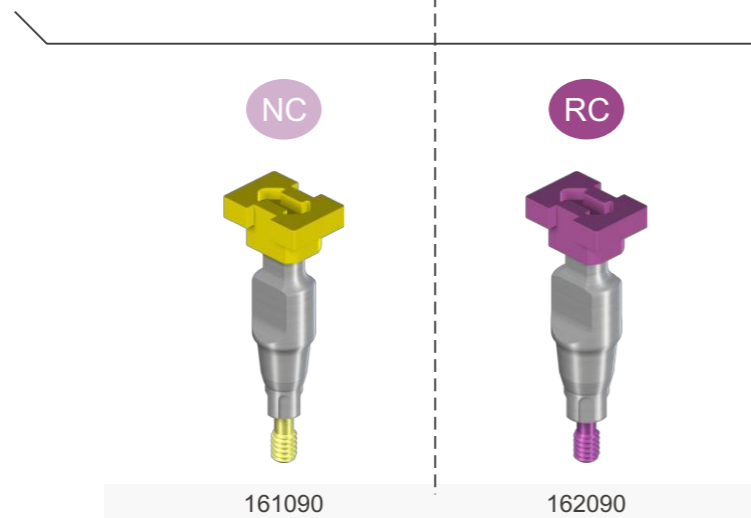
- NC Narrow Connection
- RC Regular Connection



Closed Tray Impression Post

- The slender contour of the gingival margin can cope with limited space
- Torx screwdriver
- Disposable
- Need to prepare Open Tray

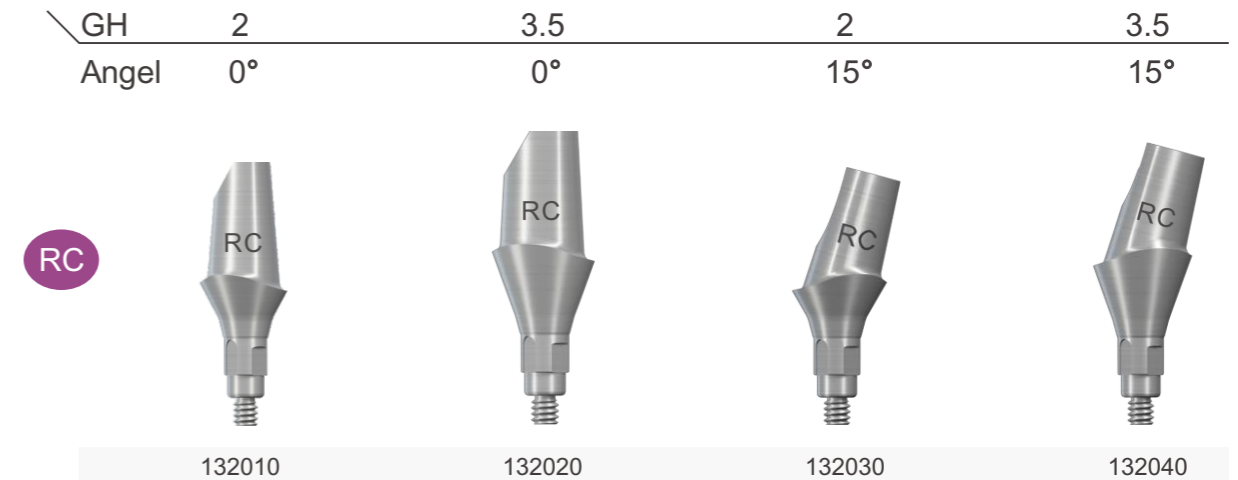
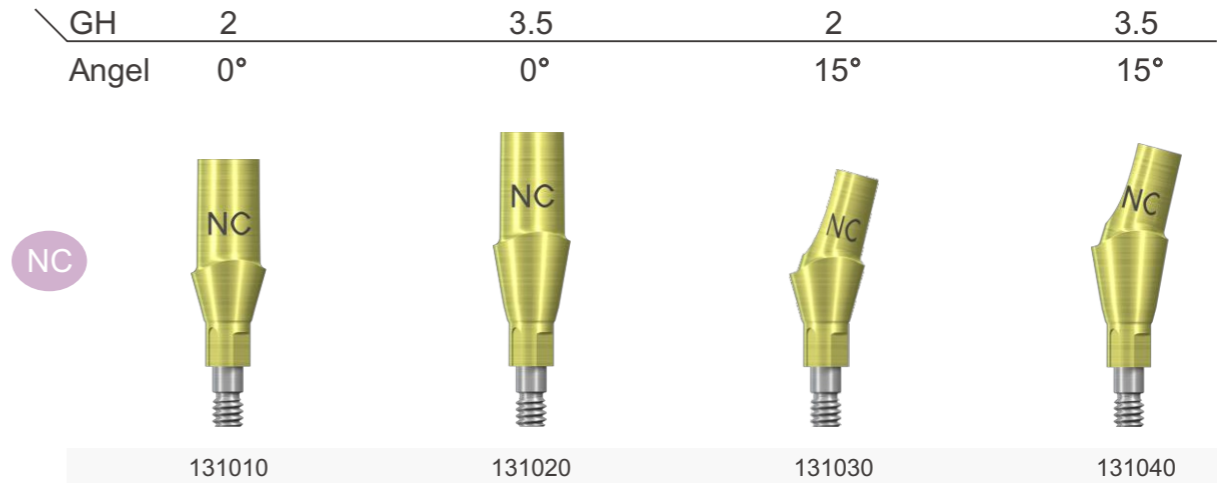
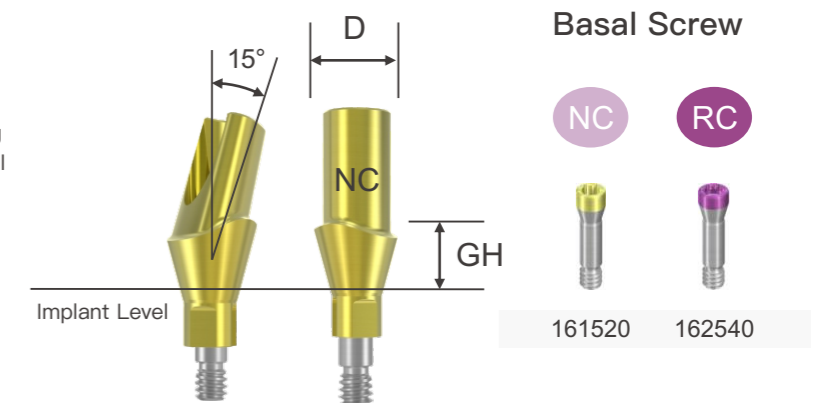
- NC Narrow Connection
- RC Regular Connection



Anatomic Abutment

- Suitable for cement-retained prosthetic restorations
- The contour of the mucosal edges is preformed. No need for excessive grinding
- Fit the contours of natural soft tissues well
- Torx screwdriver
- Tightening torque: 35Ncm
- Packing specification: Abutment + Basal Screw

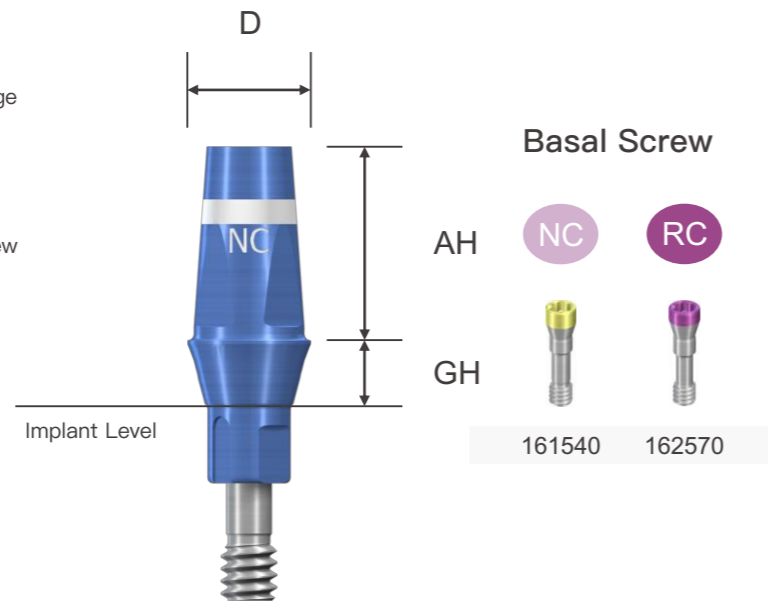
- NC Narrow Connection
- RC Regular Connection



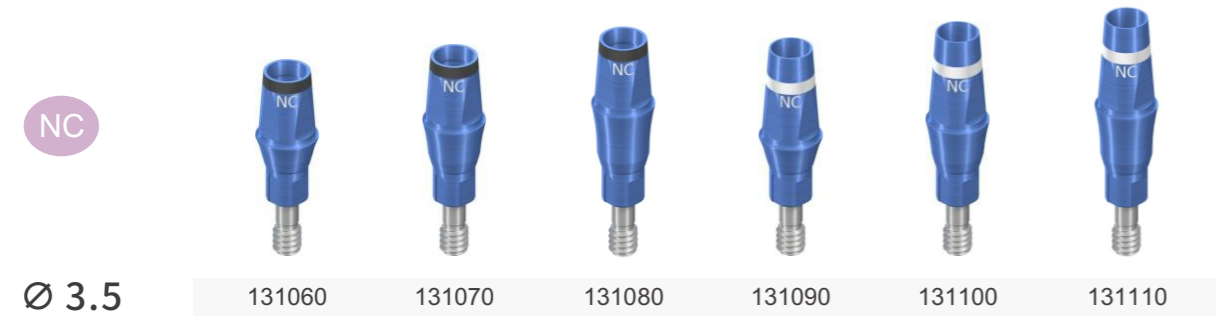
Cementable Abutment

- Suitable for cement-retained crown and bridge
- Preformed base can reduce grinding
- Torx screwdriver
- Mark line indicates the grinding limits
- Tightening torque: 35Ncm
- Packing specification: Abutment + Basal Screw

NC Narrow Connection
RC Regular Connection



D \ GH	1	2	3	1	2	3
AH	4	4	4	5.5	5.5	5.5



D \ GH	1	2	3	1	2	3
AH	4	4	4	5.5	5.5	5.5

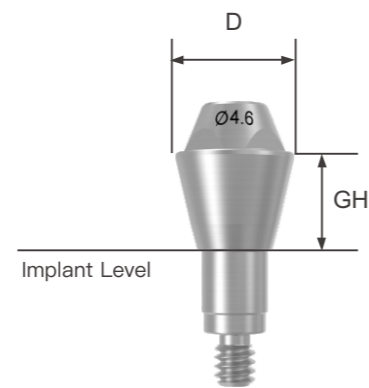


BC Multi Abutment

- A screw-retained prosthetic system suitable for 1 or more implants, especially suitable for screw-retained bridge fixation of full denture
- NC is blue and gold; RC is silver
- NC multi abutment of GH1.0 is only used for central incisor/lateral incisor restoration or bridge restoration in the non-posterior molar area. All NC multi abutments are not used for the restoration of the posterior molar area
- Tightening torque: 30Ncm

NC Narrow Connection

RC Regular Connection



D \ GH 1 2.5 4

NC



Ø 3.5

131410

131420

131430



Ø 4.6

131440

131450

131460

D \ GH 1 2.5 4

RC



Ø 4.6

132410

132420

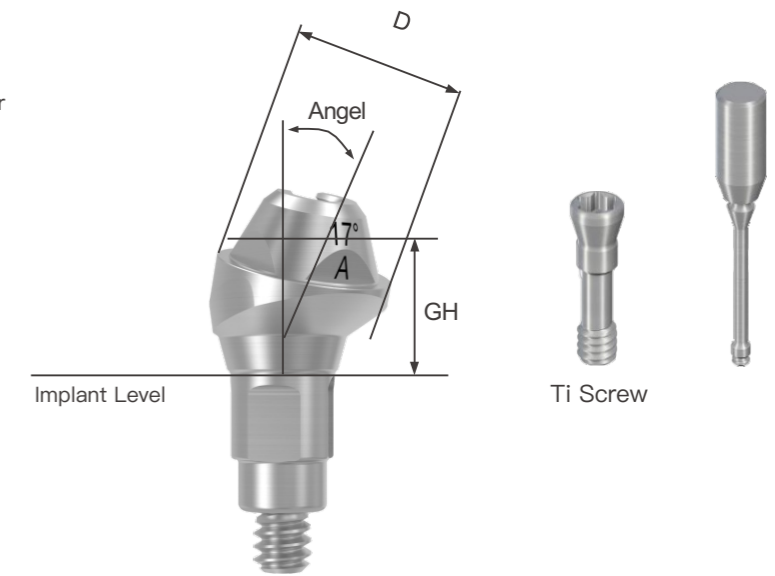
132430

BC Multi Angled Abutment

- Screw-retained prosthetic system suitable for 1 or more implants, especially suitable for screw-retained bridge fixation of full denture
- Tightening torque: 35Ncm
- All NC multi abutments are not used for restorations in the posterior molar area
- Packing specification: Abutment + Angle
- Abutment Carrier+ Ti Screw
- Torx Screwdriver

NC Narrow Connection

RC Regular Connection



D, Angle \ GH Type 2.5 4 5.5

NC



Ø 4.6, 17°

131470

131480

131490

131500

131510

131520



Ø 4.6, 30°

131530

131540

131550

131560

131570

131580

D, Angle	GH		2.5		4		5.5	
	Type		A	B	A	B	A	B
Ø 4.6, 17°	RC							
			132440	132450	132460	132470	132480	132490
Ø 4.6, 30°								
			132500	132510	132520	132530	132540	132550

BC Multi Abutment Prosthetic Components

BCMulti Abutment Protective Cap

- Protect the multi abutment and reduce the patient's foreign body sensation
- Torx screwdriver
- Tightening torque: 15Ncm
- Packing specification: Protective cap + Screw

D \ H	5	6.5	8
Ø 3.5			
	123010	123020	123030
D \ H	5.1	6.6	8.1
Ø 4.6			
	123040	123050	123060

BCMulti Abutment Coping

- Suitable for temporary restoration
- Easy to adjust with a wide range of indications
- Torx screwdriver
- Tightening torque: 15Ncm
- Packing specification: Abutment + Ti Screw

D \	Crown	Bridge
Ø 3.5		
	171410	171410N
Ø 4.6		
	171420	171420N

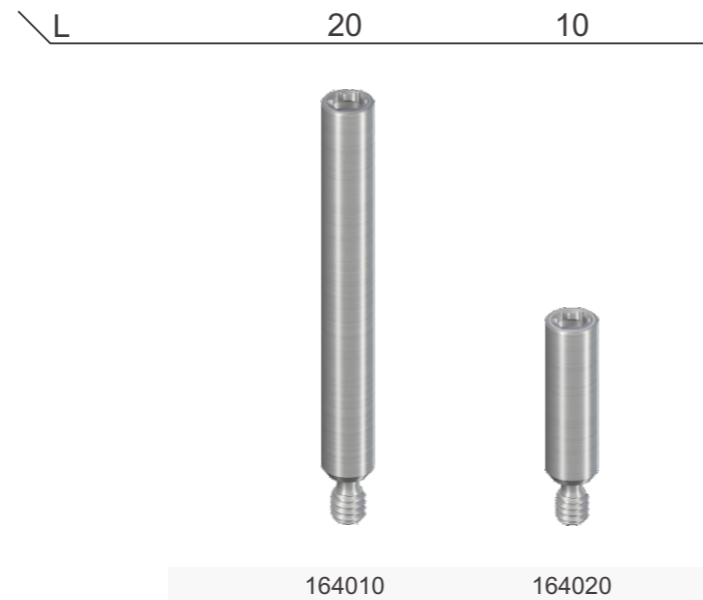
BCMulti Abutment Polishing Aid

- Prevent damage to the connection part of the abutment when polishing
- Protect the ti-base structure from resin injection

D \	
Ø 3.5	
	157090
Ø 4.6	
	157100

Lab Processing Screw

- Used for temporary prosthesis
- Connect with multi abutment polishing aid
- Tightening torque: 5–10Ncm



Occlusal Screw

- Connect prosthesis and abutment
- Torx screwdriver
- Tightening torque: 15Ncm



BC Multi Abutment Impression Components

Impression Post for Open Tray

- Open impression by individual trays
- One-to-one structure improves the stability of impression
- Torx screwdriver
- Packing specification: Impression Cap + Impression Post
- Tightening torque: 5–10Ncm

D \ Type	Crown	Bridge
Ø 3.5	 161710	 161710N
Ø 4.6	 162710	 162710N



Impression Post for Closed Tray

- Suitable for closed impression
- Torx screwdriver
- No need to prepare open trays
- Packing specification: Impression Cap + Impression Post + Plastic Cap
- Tightening torque: 5–10Ncm

D \ Type	Crown	Bridge
Ø 3.5	 161730	 161730N
Ø 4.6	 162730	 162730N



Analog

- Accurately reproduce the position and direction of multi abutment in oral cavity on the model
- Corresponding to BC multi straight abutment

D \ L

Ø 3.5



161750

Ø 4.6



162750

D \ L

Ø 4.6



162760

Analog

- Accurately reproduce the position and direction of multi abutment in oral cavity on the model
- Corresponding to BC multi angled abutment

BC Multi Abutment Kits

BC Multi Abutment Profile Drill

D \ L 23

- To install multi straight abutment
- Used with guide rod
- Maximum speed is 200rpm, intermittent pulling-drilling should be adopted
- Select corresponding profile drill according to the implant position and abutment model

Ø 5.2



151200

Ø 6.6



151210

Ø 6.0



151220

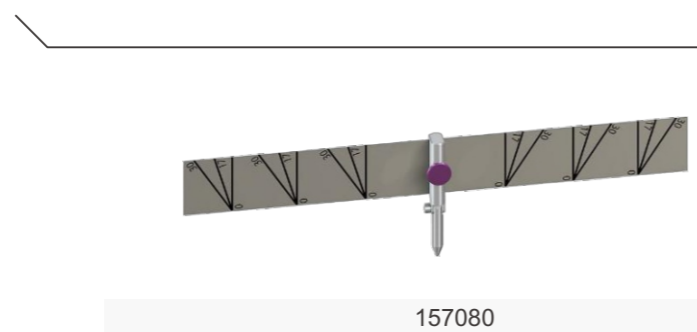
Guide Rod for Profile Drill

- To install multi abutment
- Used with profile drill



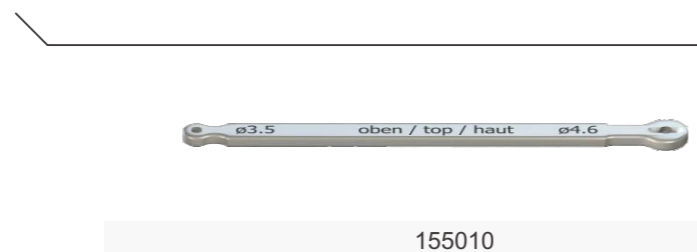
Implant Axial Guide

- Visualize the 3D direction of implant angles (mesial/distal) and intraoral parallelism
- For Surgical and prosthetic operations of multiple implants with straight or angled multi abutments
- Torx screwdriver
- Recommended use times <20 times



Holding Key

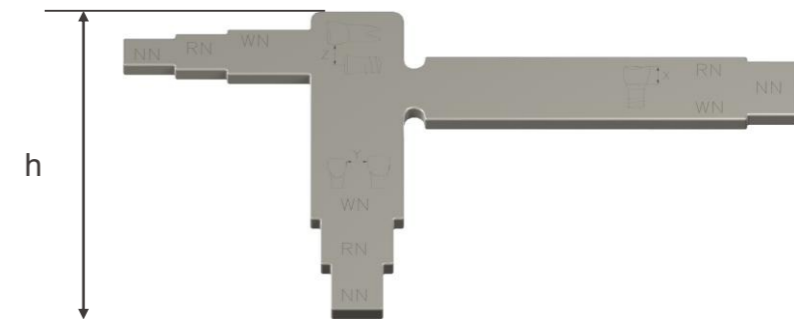
- To prevent the implant and abutment from rotating while tightening the abutment on the implant by the recommended torque of 35Ncm
- Ø3.5 and Ø4.6 for NC/RC straight or angled abutment, ensured the accurate positioning of fixed wrench and fix the screw on the abutment
- The lettered side faces up



BC Surgical Kit

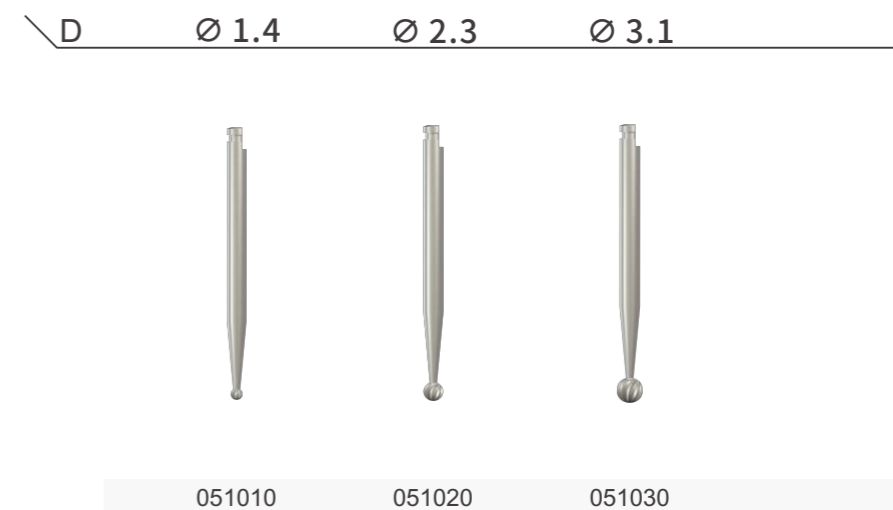
Diagnostic T

- Place Diagnostic T in the patient's mouth or on the model to measure the spatial relationship preliminarily, in order to select the implant size and to determine the upper prosthetic component
- The height (h) can be used to determine the minimum opening degree, so as to determine whether the surgical instrument can enter the patient's mouth
- Not suitable for BC bone level implants







Round Bur

- Make sure to use precooled (5°C, 41°F) normal sterile saline (NaCl) or Ringers Solution for adequate cooling
- Maximum speed: 800 rpm






Drill

- Make sure to use precooled (5°C, 41°F) normal sterile saline (Nacl) or Ringers Solution for adequate cooling
- Maximum speeds from Φ2.2mm to Φ4.2mm are 800, 600, 500 and 400 rpm respectively
- Adopt the drills from small to large for stepwise drilling
- Must adopt intermittent pulling-drilling method
- Depth Mark Interval: 2mm

L \ D	Ø 2.2	Ø 2.8	Ø 3.5	Ø 4.2
Type	Pilot Drill	Twist Drill	Twist Drill	Twist Drill
				
S	051040	051060	051080	051100
L	051050	051070	051090	051110

SP Profile Drill

- Standard Plus implants require to use SP Profile Drills in no concern with bone quality
- Standard Plus implants Φ3.3NN and Φ4.8RN can be directly implanted without using SP Profile Drills
- Clear SP Mark
Make sure to use precooled (5°C, 41°F) normal sterile saline (Nacl) or Ringers
- Solution for adequate cooling
- Maximum speed: 400 rpm

L \ D	Ø 2.8	Ø 3.5	Ø 4.2
Suitable for	Ø 3.3 RN	Ø 4.1 RN	Ø 4.8 WN
			
S	051120	051140	051160
L	051130	051150	051170

Depth Gauge

- Measure the drilling depth and implant direction
- Depth Mark Interval: 2mm

L \ D	Ø 2.2	Ø 2.2/2.8	Ø 3.5	Ø 4.2
				
	053010	053020	053030	053040

BL Profile Drill

- BL implants require to use SP Profile Drills in no concern with bone quality
- Clear BL Mark
- Make sure to use pre-cooled (5°C, 41°F) normal sterile saline (Nacl) or Ringers Solution for adequate cooling
- Maximum speed: 300 rpm

L \ D	Ø 3.3	Ø 4.1	Ø 4.8
			
S	150050	150080	150110
L	150060	150090	150120

S/SP Tap

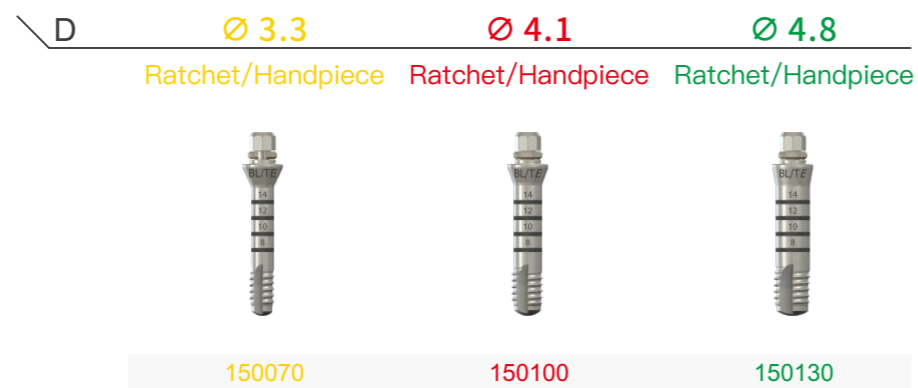
- Suitable for hard bones and implants with large diameters
- Make sure to use pre-cooled (5°C, 41°F) normal sterile saline (NaCl) or Ringers Solution for adequate cooling
- Taps for handpiece can be connected with adapters or ratchet adapter
- Taps for Ratchet are connected with ratchets directly
- Depth Mark Interval: 2mm



Short
Long

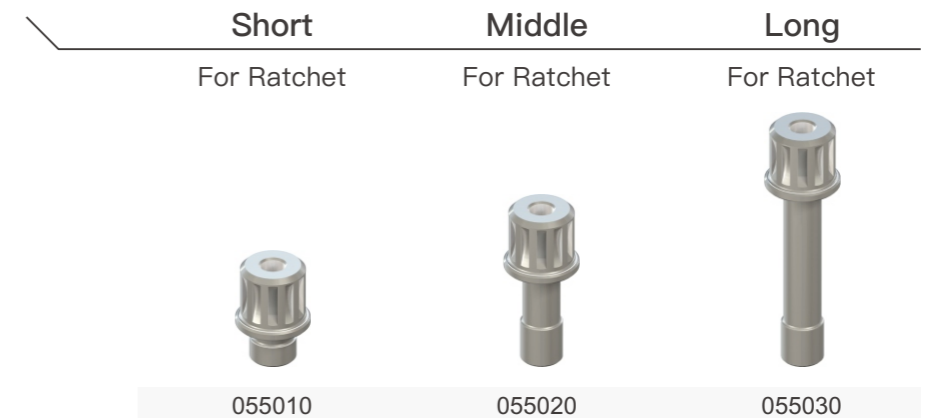
BL Tap

- Suitable for hard bones and implants with large diameters
- Make sure to use pre-cooled (5°C, 41°F) normal sterile saline (NaCl) or Ringers Solution for adequate cooling
- Connected with adapters or ratchet adapter
- Depth Mark Interval: 2mm



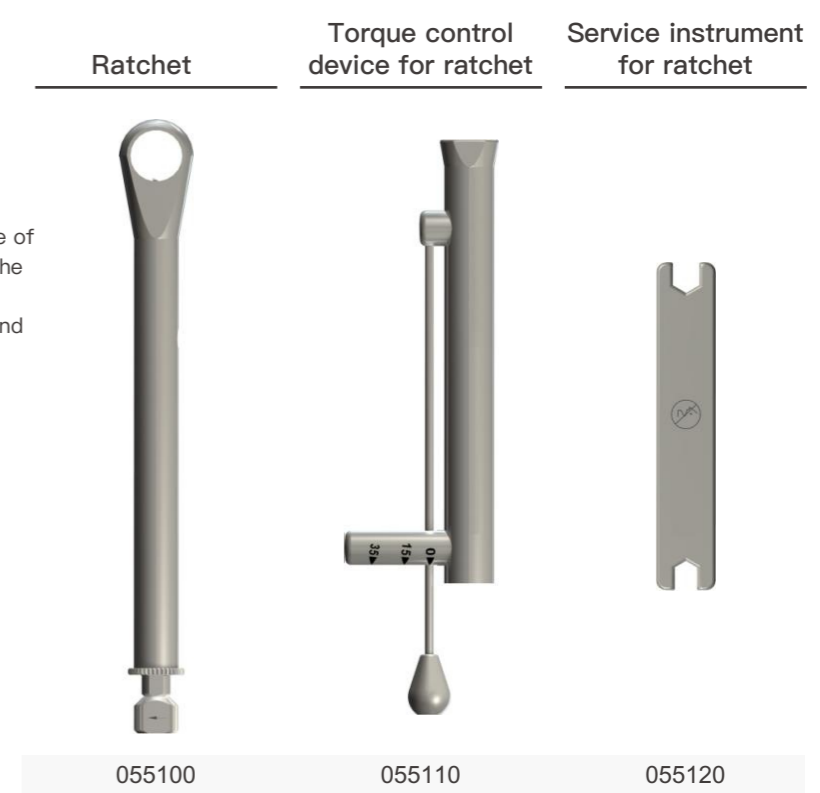
Adapter

- Connect with carrier to implant the implant
- Connect with handpieces



Ratchet includes service instrument

- Used for: Manual tapping or manually inserted the implant into the final position on the implant bed
- The ratchet is composed of two rods, one of which is equipped with a knob to adjust the direction of force
- The two rods must be split for cleaning and disinfection
- The ratchet tools are used to loosen or tighten the inner core of the ratchet



Screwdriver

- Both screwdrivers for handpiece and for ratchet are available in short, medium and long sizes
- When ratchets are used with hex screwdriver, the recommended torque should not exceed 60Ncm
- Note: If excessive torque is applied, it will break
- Always check whether the screwdriver is fully embedded in use, otherwise it may break even with low torque
- Should be used vertically
- If the tip is bent due to prolonged use or excessive torque, please replace it immediately



Holding Key

- Used to fix the ratchet or the carrier



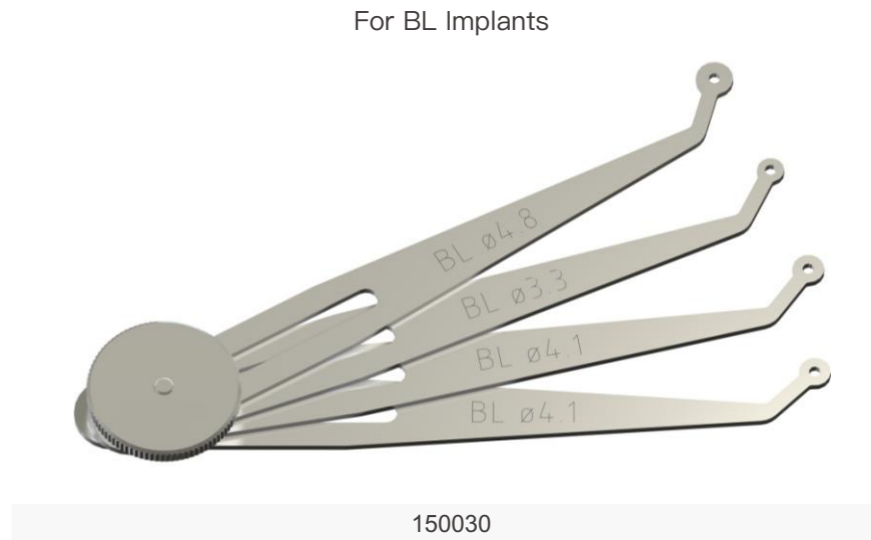
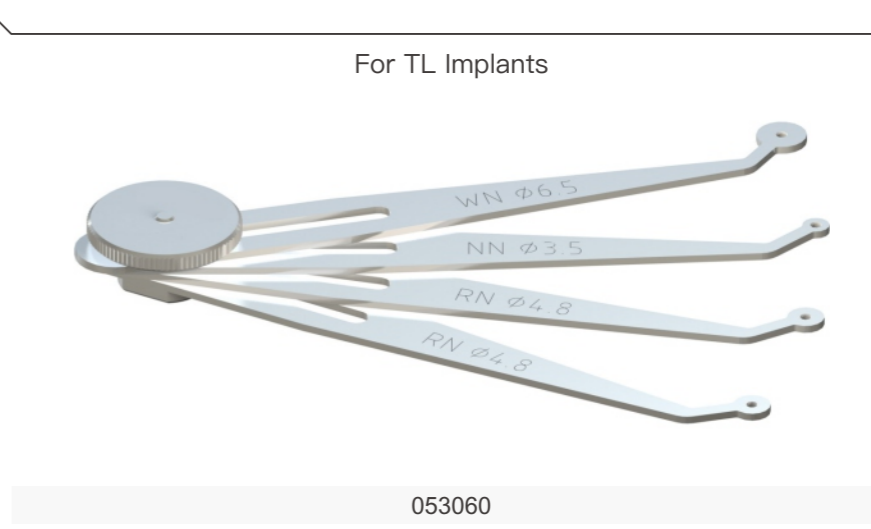
Others

Tweezers with Ti plasma-coated tips



Distance Indicator

- It can be used to check the available implant space before treatment or to mark the position of implant during surgery
- The sizes of 4 discs on the Distance Indicator correspond to different neck diameters of Bioconcept implants
- The hole in the center of the disc is convenient for marking and drilling with the Round Bur (Φ 1.4 mm)



BC Prosthetic KIT

SCS Screwdriver

Short

For Handpiece



054050

Long

For Handpiece



054060

For Ratchet



054020

For Ratchet



054030

Solid abutment driver

Short

For Ratchet



055070

Long

For Ratchet



055080

Equator Abutment Wrench



055130

Ratchet includes service instrument

- Used for: Manual tapping or manually inserted the implant into the final position on the implant bed
- The ratchet is composed of two rods, one of which is equipped with a knob to adjust the direction of force
- The two rods must be split for cleaning and disinfection
- The ratchet tools are used to loosen or tighten the inner core of the ratchet

Ratchet



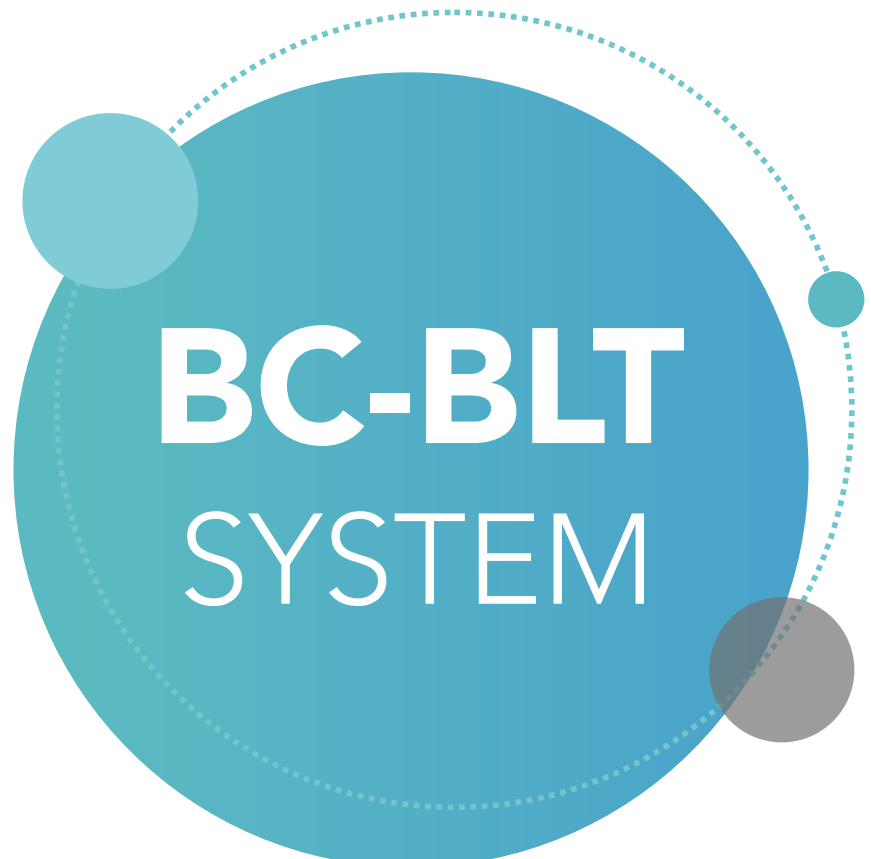
055100

Torque control device for ratchet



055110

Bioconcept

A large blue circle containing the text "BC-BLT SYSTEM" in white. The circle is surrounded by a dotted line and three smaller circles: a light blue one at the top left, a teal one at the top right, and a grey one at the bottom right.

BC-BLT SYSTEM

BC–Bone Level Tapered Implant System

050 BC–BLT Implant System
050 BC BLT Implant
051 Closure Screw
051 Healing Abutment (Conical)
053 Healing Abutment (Bottle)
054 Analog
054 Open Tray Impression Post
054 Closed Tray Impression Post
055 Anatomic Abutment
056 Cementable Abutment
058 BC Multi Abutment
059 BC Multi Angled Abutment
061 BC Multi Abutment Protective Cap
061 BC Multi Abutment Coping
061 BC Multi Abutment Polishing Aid
062 Lab Processing Screw
062 Occlusal Screw
063 Impression Post for Open Tray
063 Impression Post for Closed Tray
064 Analog
065 BC Multi Abutment Profile Drill
066 Guide Rod for Profile Drill
066 Implant Axial Guide
066 Holding Key

BC–BLT Surgical Kit

067 Diagnostic T
067 Holding Key
068 Round Bur
068 BLT Drill
068 Depth Gauge
069 BLT Profile Drill
069 BLT Tap
069 Drill Extender
070 Screwdriver
071 Adapter
071 Ratchet Includes Service Instrument
072 Release Aid for Mount

BC-BLT Implant

- Cutting edge at tip part, good self-tapping performance
- 15°Morse Taper
- S-L-A Surface
- Gr.4 Pure Titanium

- Please refer to implant diameter (d) for orders.
- Different diameters, different code colors.

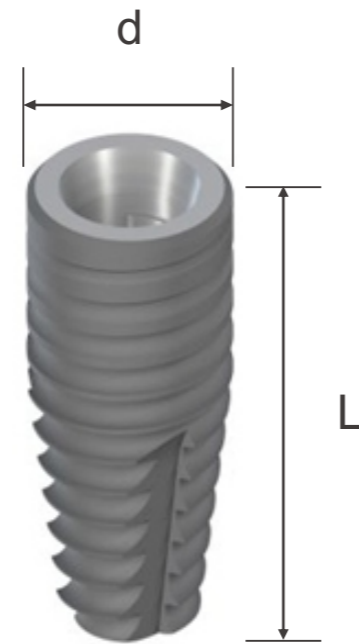
Yellow — Ø3.3

Red — Ø4.1

Green — Ø4.8

NC Narrow Connection

RC Regular Connection



L \ d	3.3	4.1	4.8
	NC	RC	RC
8	115010	116010	117010
10	115020	116020	117020
12	115030	116030	117030
14	115040	116040	117040
16	115050	116050	117050

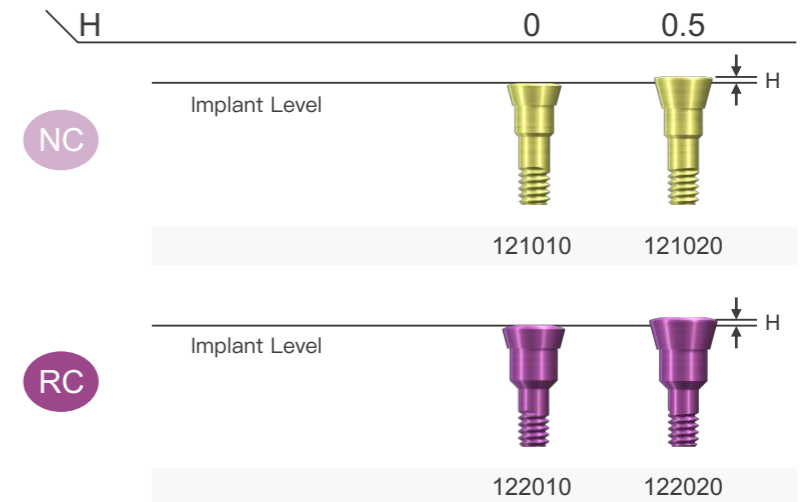
Closure Screw & Healing Abutment

Closure Screw

- Torx screwdriver
- Suitable for embedded therapy
- If bone substance is expected to cover the closure screw, it is recommended to use the closure screw H0.5mm on the deeper implant
- Tightening torque: 5–10Ncm

NC Narrow Connection

RC Regular Connection

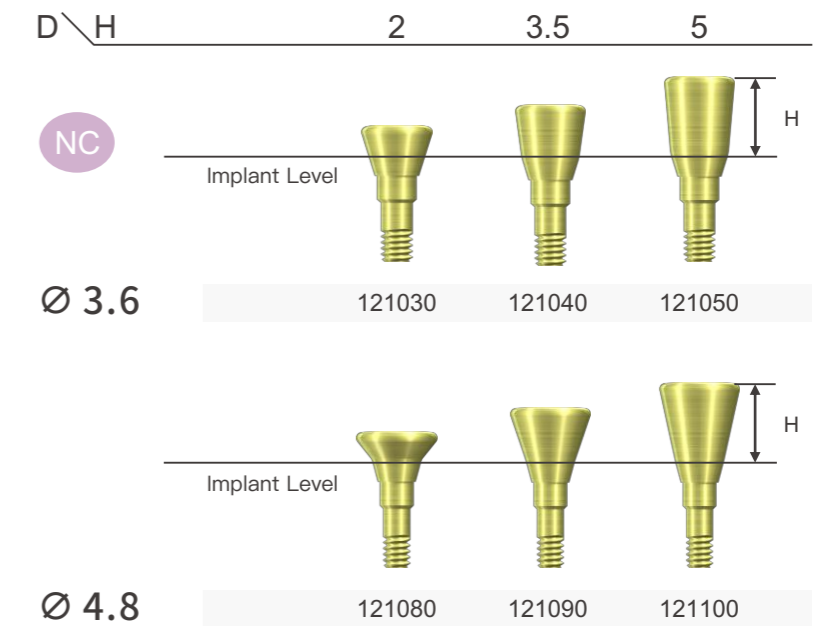


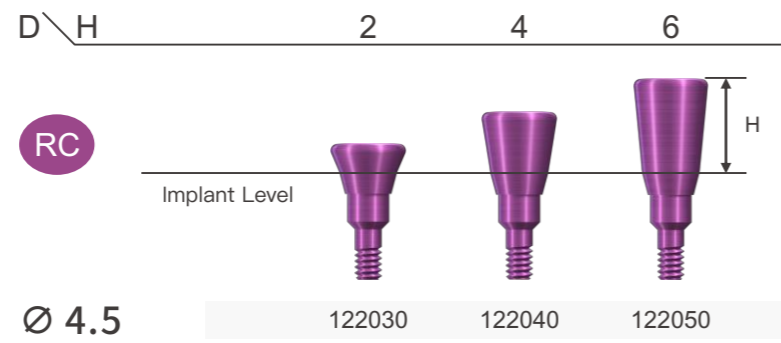
Healing Abutment (Conical)

- Torx screwdriver
- Suitable for non-embedded therapy
- Healing abutment can match perfectly with prosthetic components, and realize simple and reliable soft tissue formation
- Tightening torque: 5–10Ncm

NC Narrow Connection

RC Regular Connection



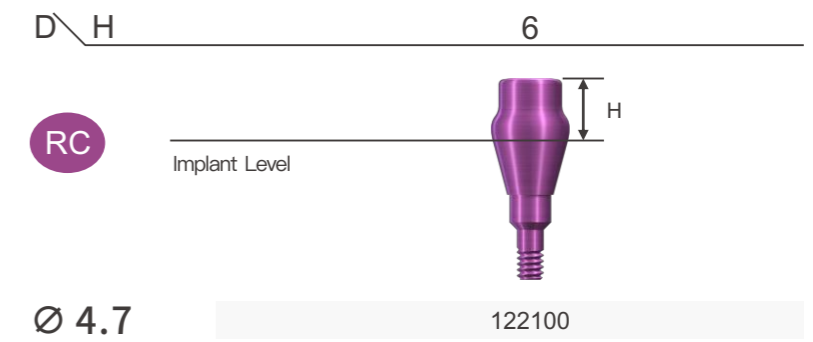
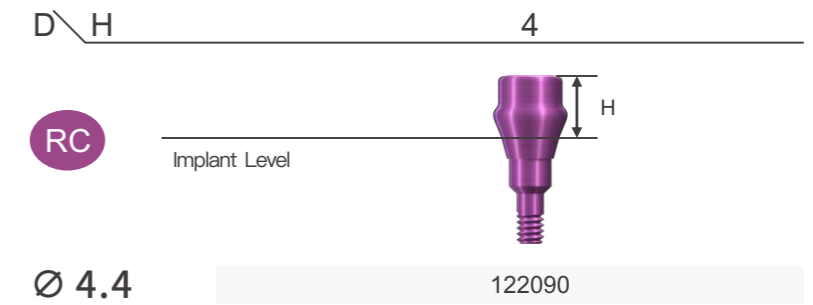


Healing Abutment (Bottle)

- Torx screwdriver
- Suitable for non-embedded therapy
- Bottle healing abutment can slightly promote the soft tissue hyperplasia, contributing to the preformation of soft tissue
- Tightening torque: 5-10Ncm

NC Narrow Connection

RC Regular Connection

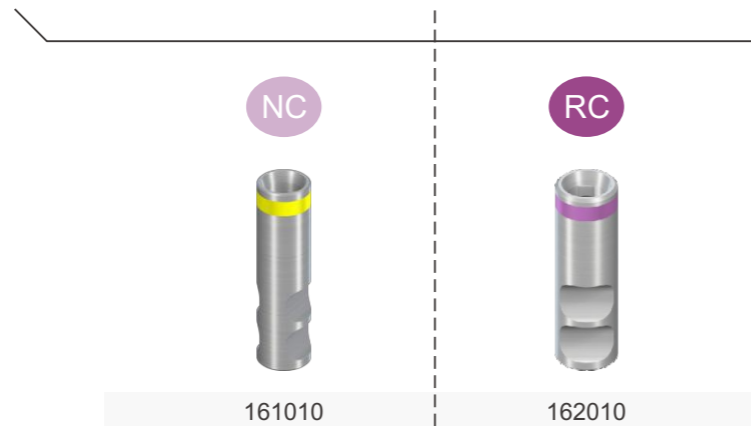


Transfer Parts

Analog

- Accurately reproduce the position and orientation of the implant in the oral cavity on the model

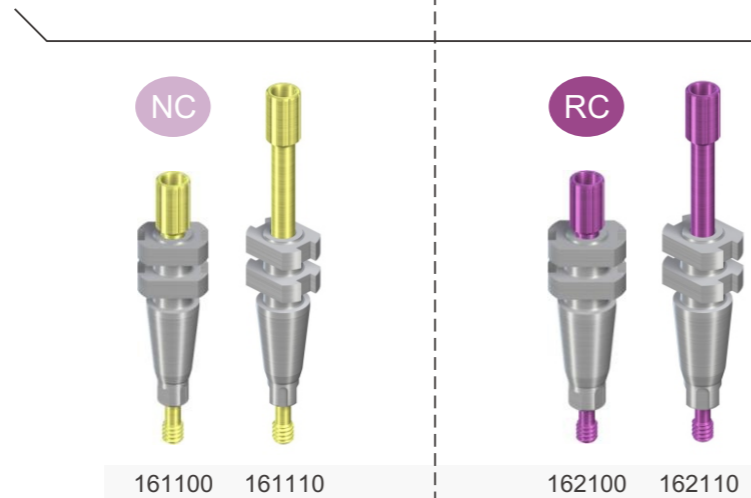
- NC** Narrow Connection
- RC** Regular Connection



Open Tray Impression Post

- The slender contour of the gingival margin can cope with limited space
- Torx screwdriver
- Disposable
- Need to prepare Open Tray

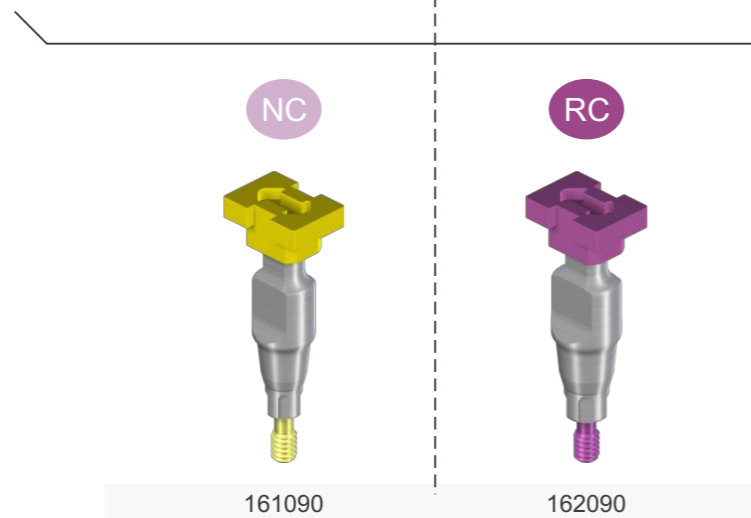
- NC** Narrow Connection
- RC** Regular Connection



Closed Tray Impression Post

- The slender contour of the gingival margin can cope with limited space
- Torx screwdriver
- Disposable
- Need to prepare Open Tray

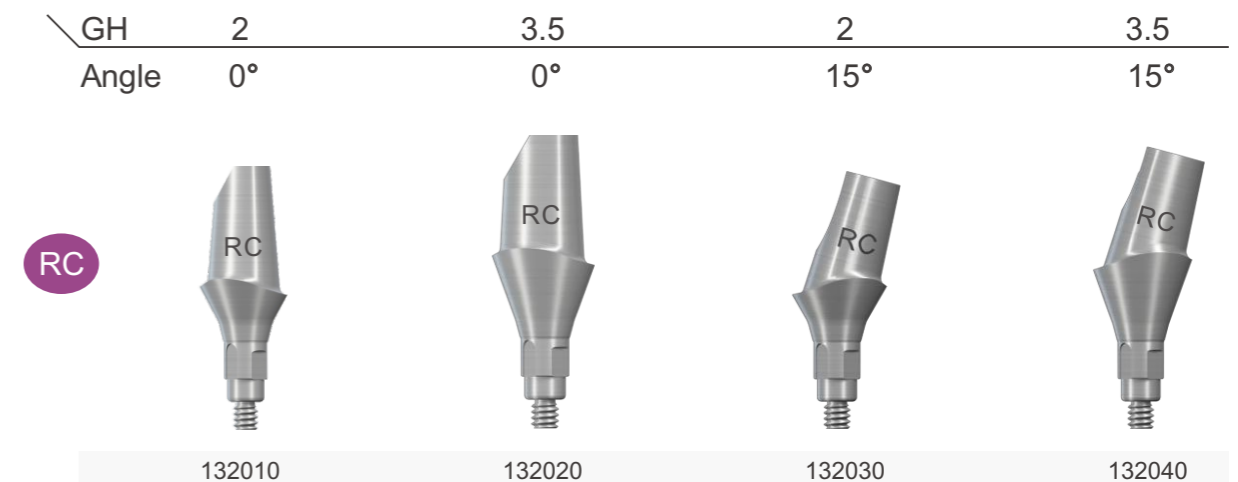
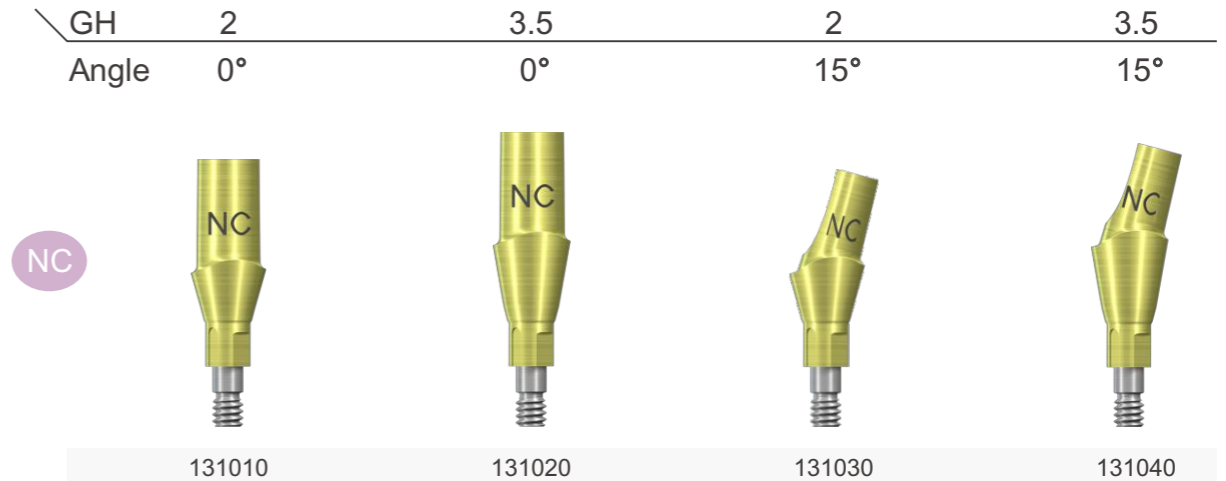
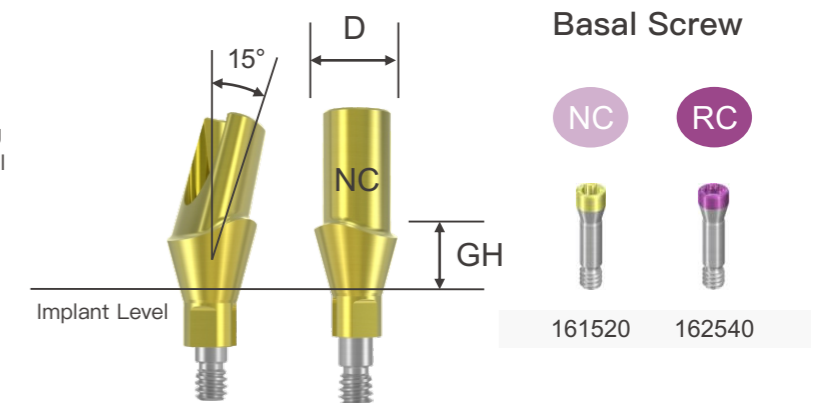
- NC** Narrow Connection
- RC** Regular Connection



Anatomic Abutment

- Suitable for cement-retained prosthetic restorations
- The contour of the mucosal edges is preformed. No need for excessive grinding
- Fit the contours of natural soft tissues well
- Torx screwdriver
- Tightening torque: 35Ncm
- Packing specification: Abutment + Basal Screw

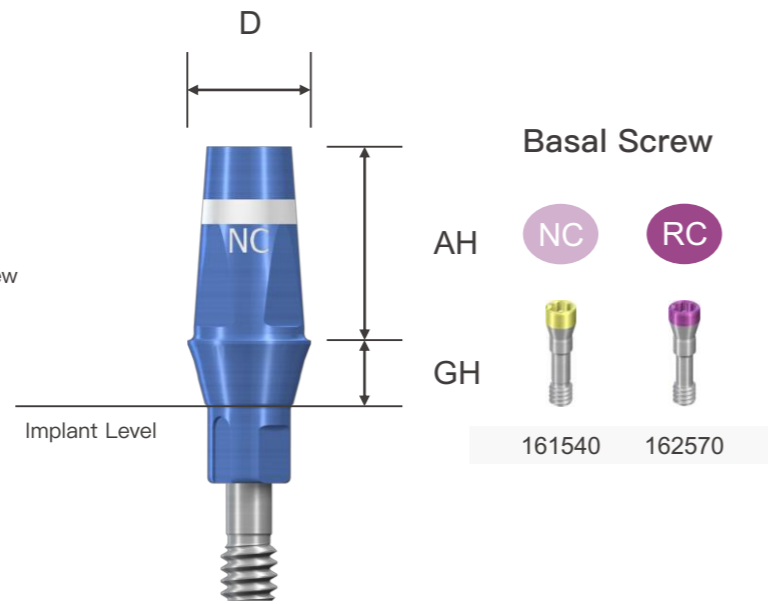
- NC** Narrow Connection
- RC** Regular Connection



Cementable Abutment

- Suitable for cement-retained crown and bridge
- Preformed base can reduce grinding
- Torx screwdriver
- Mark line indicates the grinding limits
- Tightening torque: 35Ncm
- Packing specification: Abutment + Basal Screw

NC Narrow Connection
RC Regular Connection



D \ GH	1	2	3	1	2	3
AH	4	4	4	5.5	5.5	5.5

NC

Ø 3.5



Ø 5.0



D \ GH	1	2	3	1	2	3
AH	4	4	4	5.5	5.5	5.5

RC

Ø 5.0



Ø 6.5

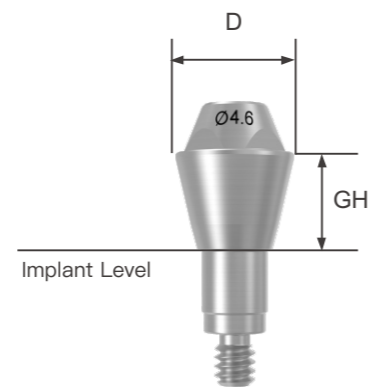


BC Multi Abutment

- A screw-retained prosthetic system suitable for 1 or more implants, especially suitable for screw-retained bridge fixation of full denture
- NC is blue and gold; RC is silver
- NC multi abutment of GH1.0 is only used for central incisor/lateral incisor restoration or bridge restoration in the non-posterior molar area. All NC multi abutments are not used for the restoration of the posterior molar area
- Tightening torque: 30Ncm

NC Narrow Connection

RC Regular Connection



D \ GH 1 2.5 4

NC



Ø 3.5

131410

131420

131430



Ø 4.6

131440

131450

131460

D \ GH 1 2.5 4

RC



Ø 4.6

132410

132420

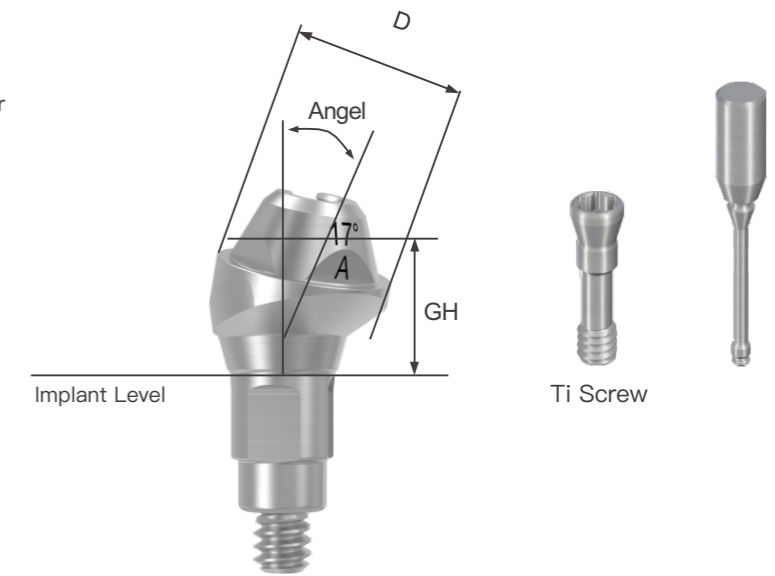
132430

BC Multi Angled Abutment

- Screw-retained prosthetic system suitable for 1 or more implants, especially suitable for screw-retained bridge fixation of full denture
- Tightening torque: 35Ncm
- All NC multi abutments are not used for restorations in the posterior molar area
- Packing specification: Abutment + Angle
- Abutment Carrier+ Ti Screw
Torx Screwdriver

NC Narrow Connection

RC Regular Connection



D, Angle \ GH Type 2.5 4 5.5

NC



Ø 4.6, 17°

131470

131480

131490

131500

131510

131520



Ø 4.6, 30°

131530

131540

131550

131560

131570

131580

D, Angle	GH		2.5		4		5.5	
	Type		A	B	A	B	A	B
Ø 4.6, 17°	RC							
			132440	132450	132460	132470	132480	132490
Ø 4.6, 30°								
			132500	132510	132520	132530	132540	132550

BC Multi Abutment Prosthetic Components

BC Multi Abutment Protective Cap

- Protect the multi abutment and reduce the patient's foreign body sensation
- Torx screwdriver
- Tightening torque: 15Ncm
- Packing specification: Protective cap + Screw

D \ H	5	6.5	8
Ø 3.5			
	123010	123020	123030
D \ H	5.1	6.6	8.1
Ø 4.6			
	123040	123050	123060

BC Multi Abutment Coping

- Suitable for temporary restoration
- Easy to adjust with a wide range of indications
- Torx screwdriver
- Tightening torque: 15Ncm
- Packing specification: Abutment + Ti Screw

D \	Crown	Bridge
Ø 3.5		
	171410	171410N
Ø 4.6		
	171420	171420N

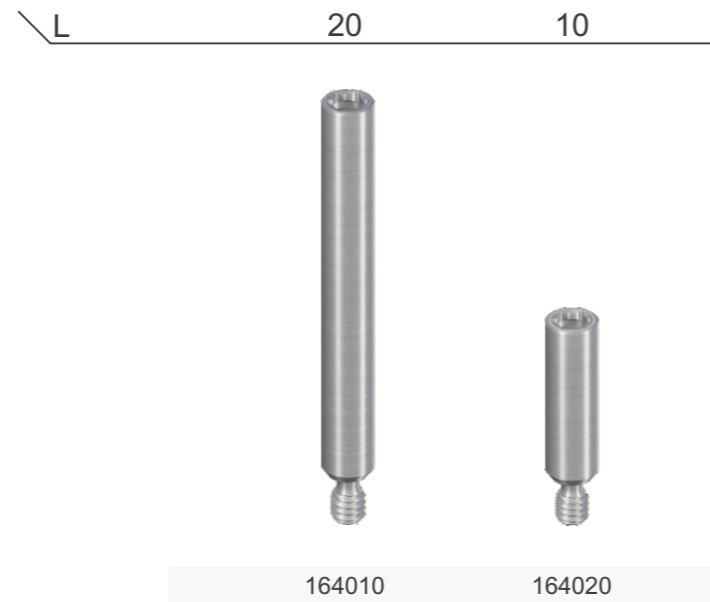
BC Multi Abutment Polishing Aid

- Prevent damage to the connection part of the abutment when polishing
- Protect the ti-base structure from resin injection

D \	
Ø 3.5	
	157090
Ø 4.6	
	157100

Lab Processing Screw

- Used for temporary prosthesis
- Connect with multi abutment polishing aid
- Tightening torque: 5–10Ncm



Occlusal Screw

- Connect prosthesis and abutment
- Torx screwdriver
- Tightening torque: 15Ncm



BC Multi Abutment Impression Components

Impression Post for Open Tray

- Open impression by individual trays
- One-to-one structure improves the stability of impression
- Torx screwdriver
- Packing specification: Impression Cap + Impression Post
- Tightening torque: 5–10Ncm

D	Type	Crown	Bridge
Ø 3.5			
		161710	161710N
Ø 4.6			
		162710	162710N

Impression Post for Closed Tray

- Suitable for closed impression
- Torx screwdriver
- No need to prepare open trays
- Packing specification: Impression Cap + Impression Post + Plastic Cap
- Tightening torque: 5–10Ncm

D	Type	Crown	Bridge
Ø 3.5			
		161730	161730N
Ø 4.6			
		162730	162730N

Analog

- Accurately reproduce the position and direction of multi abutment in oral cavity on the model
- Corresponding to BC multi straight abutment

D \ L

Ø 3.5



161750

Ø 4.6



162750

D \ L

Ø 4.6



162760

Analog

- Accurately reproduce the position and direction of multi abutment in oral cavity on the model
- Corresponding to BC multi angled abutment

BC Multi Abutment Kits

BC Multi Abutment Profile Drill

- To install multi straight abutment
- Used with guide rod
- Maximum speed is 200rpm, intermittent pulling-drilling should be adopted
- Select corresponding profile drill according to the implant position and abutment model

D \ L 23

Ø 5.2



151200

Ø 6.6



151210

Ø 6.0



151220

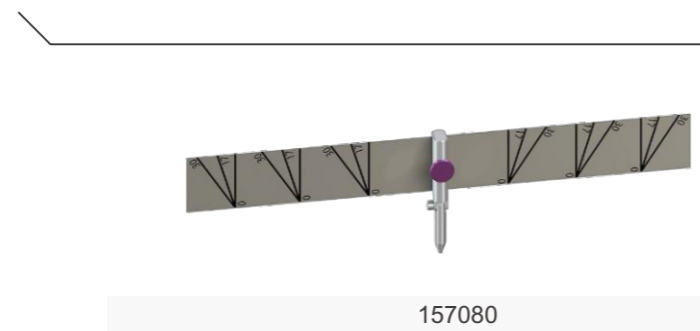
Guide Rod for Profile Drill

- To install multi abutment
- Used with profile drill



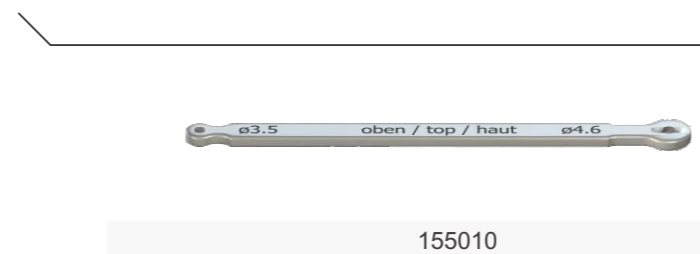
Implant Axial Guide

- Visualize the 3D direction of implant angles (mesial/distal) and intraoral parallelism
- For Surgical and prosthetic operations of multiple implants with straight or angled multi abutments
- Torx screwdriver
- Recommended use times <20 times



Holding Key

- To prevent the implant and abutment from rotating while tightening the abutment on the implant by the recommended torque of 35Ncm
- Ø3.5 and Ø4.6 for NC/RC straight or angled abutment, ensured the accurate positioning of fixed wrench and fix the screw on the abutment
- The lettered side faces up



BLT Surgical Kit

Diagnostic T

- Place Diagnostic T in the patient's mouth or on the model to measure the spatial relationship preliminarily, in order to select the implant size and to determine the upper prosthetic component
- The height (h) can be used to determine the minimum opening degree, so as to determine whether the surgical instrument can enter the patient's mouth
- Not suitable for BC bone level implants



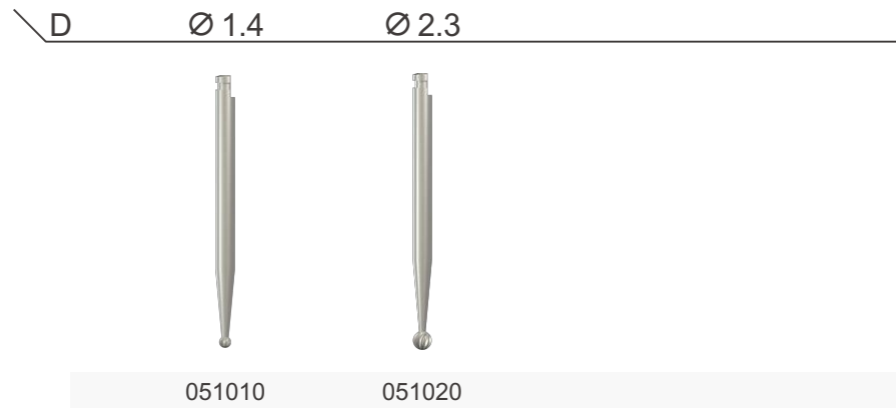
Holding Key

- Used to fix the ratchet or the carrier



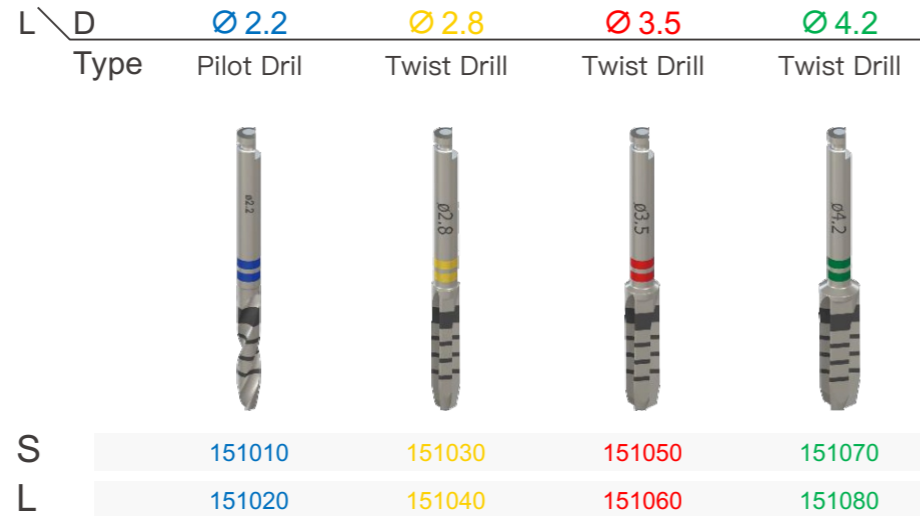
Round Bur

- Make sure to use precooled (5°C, 41°F) normal sterile saline (Nacl) or Ringers Solution for adequate cooling
- Maximum speed: 800 rpm



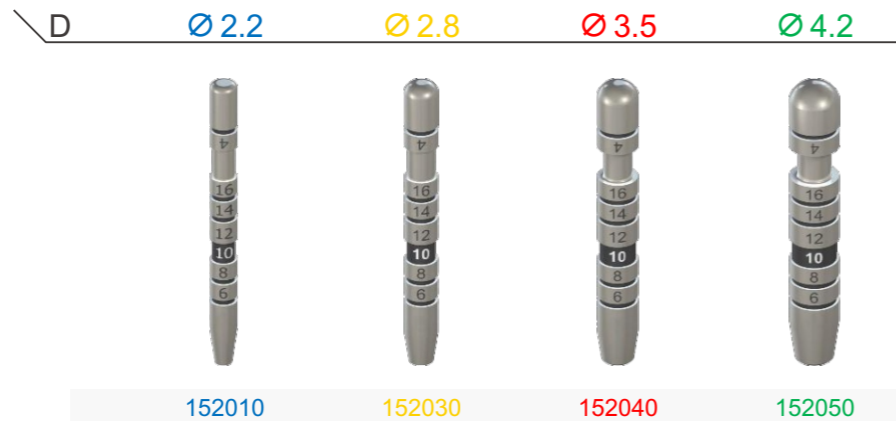
BLT Drill

- Make sure to use precooled (5°C, 41°F) normal sterile saline (Nacl) or Ringers Solution for adequate cooling. Maximum speeds from Ø2.2mm to Ø4.2mm are 800, 600, 500 and 400 rpm respectively
- Adopt the drills from small to large for stepwise drilling
- Must adopt intermittent pulling-drilling method
- Depth Mark Interval: 2mm



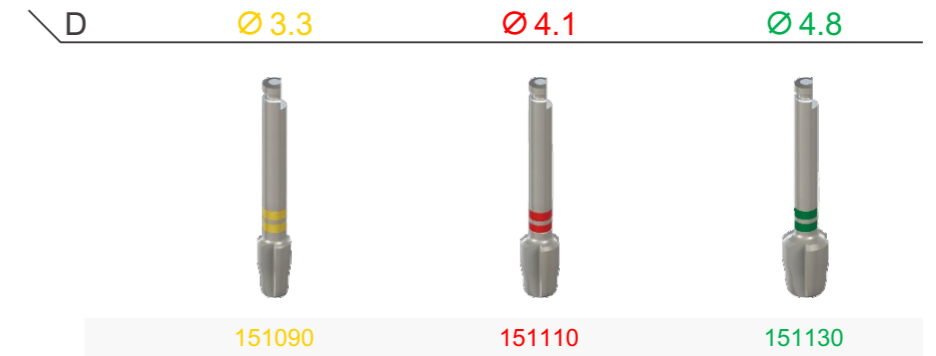
Depth Gauge

- Measure the drilling depth and implant direction
- Depth Mark Interval: 2mm



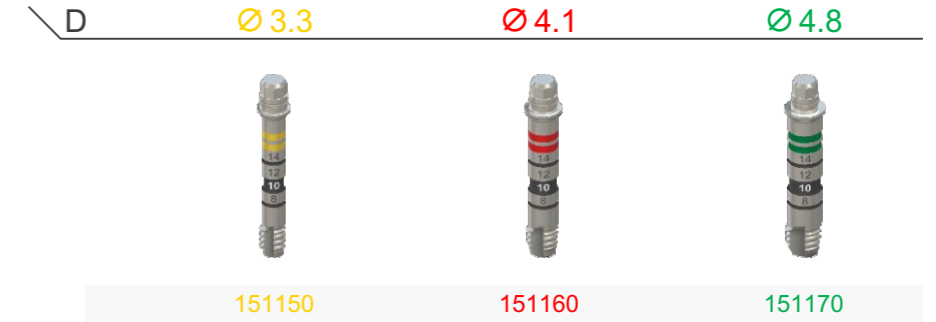
BLT Profile Drill

- Bone level implants require to use SP Profile
- Drills in no concern with bone quality
- Double lines indicate clear BLT mark
- Make sure to use precooled (5°C, 41°F) normal sterile saline (Nacl) or Ringers Solution for adequate cooling
- Maximum speed: 300 rpm



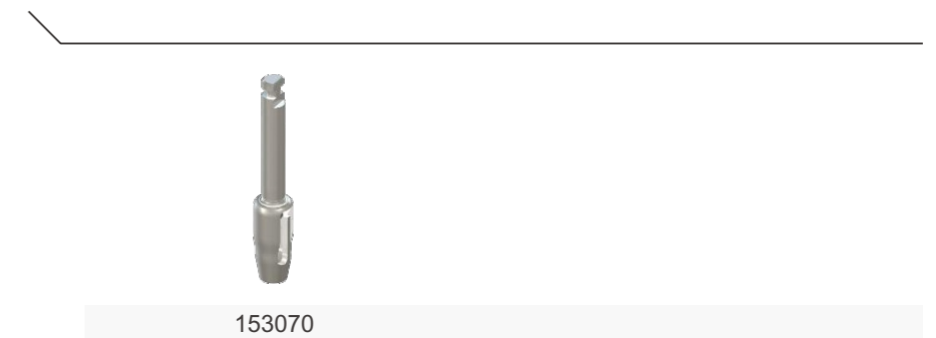
BLT Tap

- Suitable for hard bones
- Double lines indicate clear BLT mark
- Make sure to use precooled (5°C, 41°F) normal sterile saline (Nacl) or Ringers Solution for adequate cooling
- Connected with adapters or ratchet adapter
- Depth Mark Interval: 2mm



Drill Extender

- Extend the length of drills and other tools
- Connect the flat side of drill shank to the flat side of drill extender
- Avoid excessive torque during operation



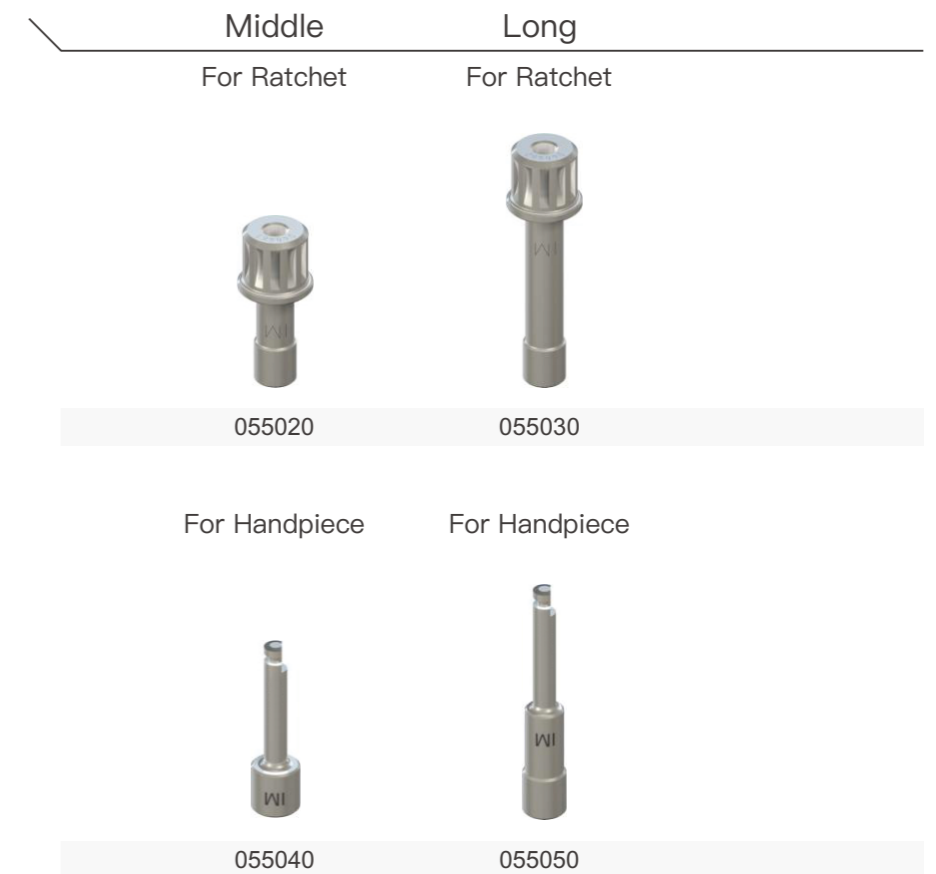
Screwdriver

- Both screwdrivers for handpiece and for ratchet are available in short, medium and long sizes
- When ratchets are used with hex screwdriver, the recommended torque should not exceed 60Ncm
- Note: If excessive torque is applied, it will break
- Always check whether the screwdriver is fully embedded in use, otherwise it may break even with low torque
- Should be used vertically
- If the tip is bent due to prolonged use or excessive torque, please replace it immediately



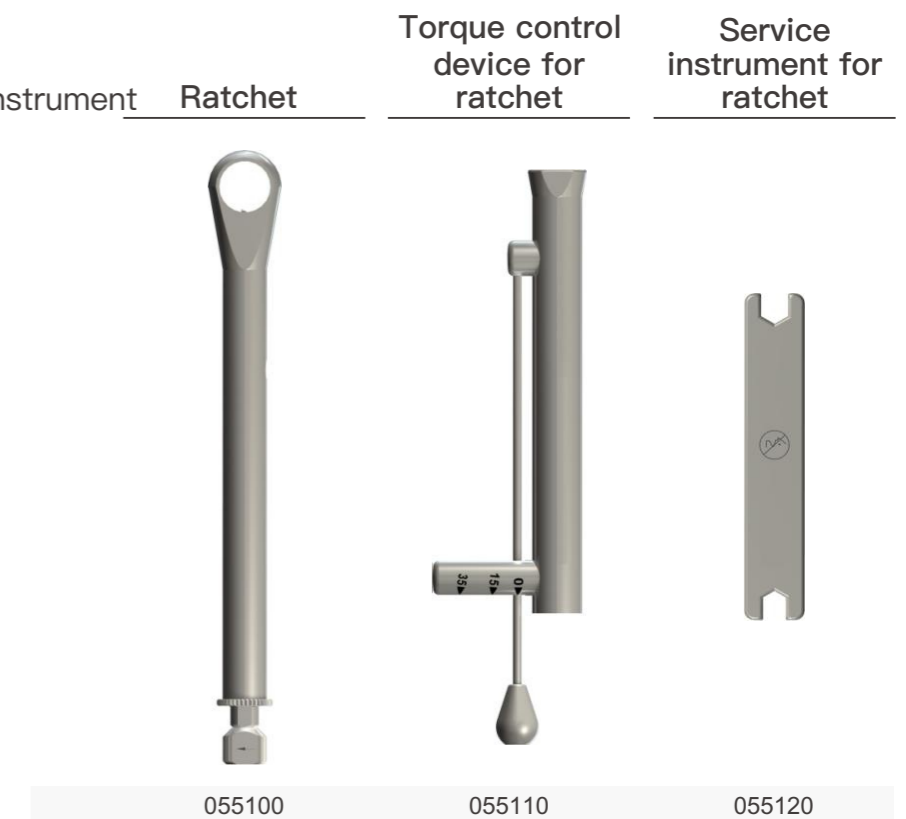
Adapter

- Connect with carrier to be implanted into the implant
- Connect with tap for handpiece



Ratchet includes service instrument

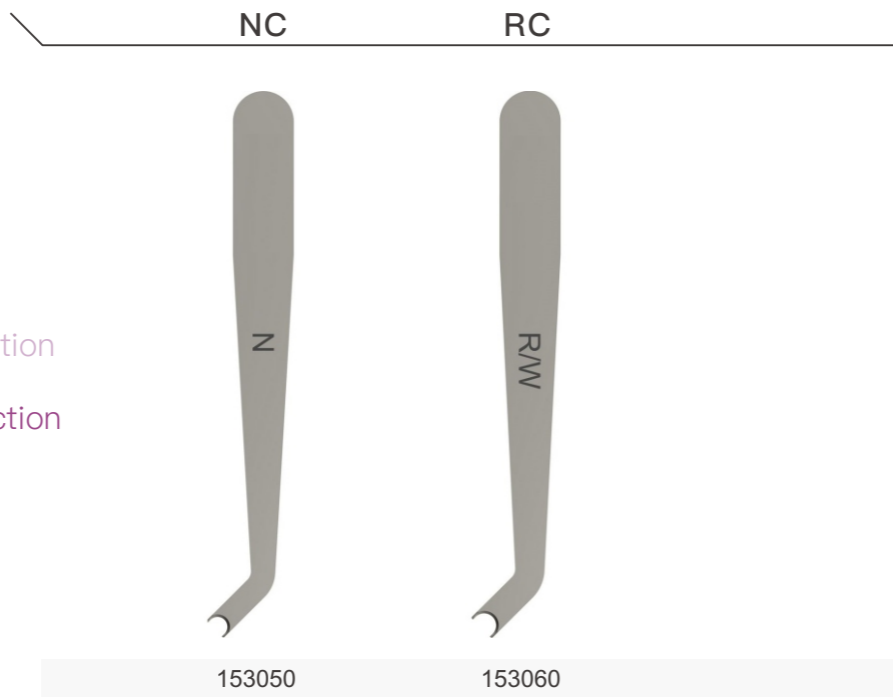
- Used for: Manual tapping or manually inserted the implant into the final position on the implant bed
- The ratchet is composed of two rods, one of which is equipped with a knob to adjust the direction of force
- The two rods must be split for cleaning and disinfection
- The ratchet tools are used to loosen or tighten the inner core of the ratchet



Release Aid for Mount

- To take the carrier during the surgery
- Press gently on the cross-section of the implant

- **NC** Narrow Connection
- **RC** Regular Connection



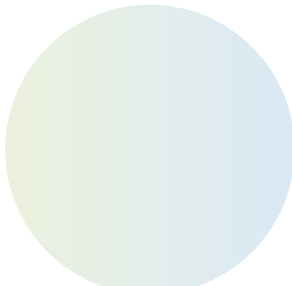
Bioconcept

The logo features a large central circle with a blue-to-green gradient. The word "Equator" is written in a large, white, sans-serif font across the middle of the circle, and "Abutment" is written in a smaller, white, sans-serif font below it. The circle is surrounded by a dotted line that forms a larger circle. Three smaller solid circles are positioned around the main circle: a light green one at the top left, a dark green one at the top right, and a grey one at the bottom right.

Equator

Abutment

Equator Abutment Series

- 076 Equator Abutment
 - 076 Equator Healing Abutment for BV System
 - 077 Equator Abutment Lab Analog
 - 077 Equator Impression Transfer
 - 077 Equator Block-out Spacers
 - 077 Equator Black Processing Male
 - 078 Equator Replacement Male
 - 078 Equator SmartBox Male Processing Package
 - 079 Equator Housing Male Processing Package
 - 079 Adapter for ratchet/ Equator Square Screwdriver
for ratchet
 - 079 Equator Insertion/ Extraction Tool
- 
- A light blue circle with a soft gradient, positioned in the bottom left area of the page.

Equator Abutment Series

Equator Abutment

- High corrosion resistance and abrasive resistance
- Smaller dimensions, better esthetic effects
- Suitable for gingival height of 1mm–6mm
- Tightening torque: 35Ncm

BV System

M Mini

R Regular

BC TL Implant



RN Regular Neck

WN Wide Neck

BC BL Implant

NC Narrow Connection

RC Regular Connection

GH \ Type	Type	
	TL	BL
		
	RN	NC
1	034010	—
2	034020	134020
3	034030	134030
4	034040	134040
5	034050	134050
6	034060	134060
	WN	RC
1	034210	134210
2	034220	134220
3	034230	134230
4	034240	134240
5	034250	134250
6	034260	134260

Equator Abutment Lab Analog

- Accurately reproduce the position and orientation of the Equator in the oral cavity on the model



368020

Equator Impression Transfer

- Abutment level impression
- Disposable



368010

Equator Block-out Spacers

- To prevent the glue overflow during the process of crown placement
- Package: 20pieces



378070V20

Equator Black Processing Male

- For processing by technicians
- Package: 4pieces



378060V4

Equator Replacement Male

- Long-term retention stability
- Different elastic retention force
- Superior retention touch
- Package: 4pieces



2.7kg

378020V4



1.8kg

378030V4



1.2kg

378040V4



0.6kg

378050V4

Equator SmartBox Male Processing Package

- Correct the divergency of implant angle up to 50°
- Use the Equator Insertion/Extraction Tool to extract/fasten the Equator Replacement Male
- Package:
1*SmartBox cap with black Processing Male,
1*Violet Replacement Male
1* White Replacement Male
1* Pink Replacement Male
1* Yellow Replacement Male
2* Block-out Spacers



378100

Equator Housing Male Processing Package

- Correct the divergency of implant angle up to 30°
- Use the Equator Insertion/Extraction Tool to extract/fasten the Equator Replacement Male
- Package:
1* Housing TA cap
1* Black Processing Male
1* Violet Replacement Male
1* White Replacement Male
1* Pink Replacement Male
1* Yellow Replacement Male
2* Block-Out Spacers



378110

Adapter for ratchet/ Equator Square Screwdriver for ratchet

- Tighten Equator Abutment
- Good selflifting ability



055130

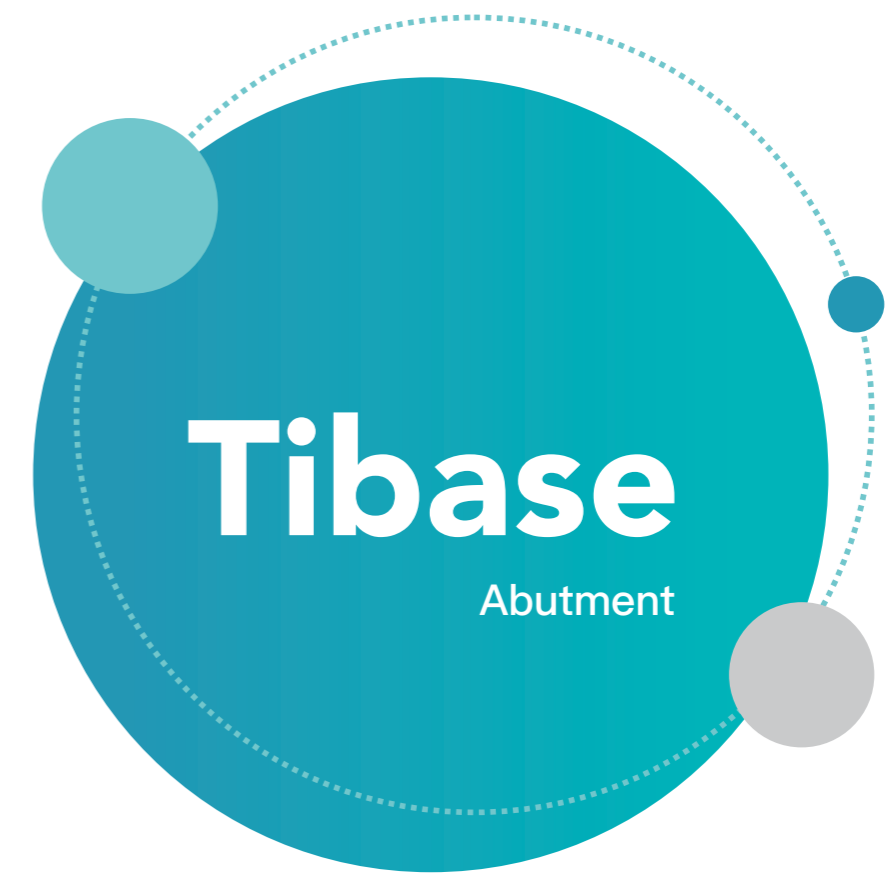
Equator Insertion/Extraction Tool

- Black tip can extract the Replacement Male
- Metal end can fasten the Replacement Male



358020

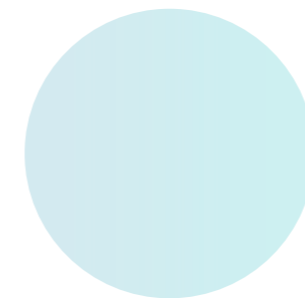
Bioconcept



Tibase

082 Tibase Abutment

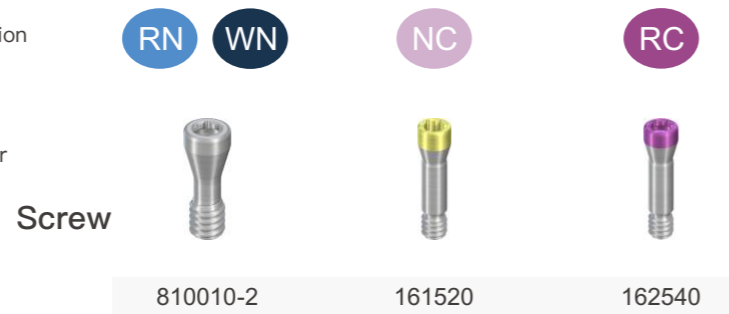
084 Scanbody



Tibase

Tibase Abutment

- For Cement-retained/screw-retained/combination type prosthesis
- Digital prosthesis work flow is easier and more efficiently
- Cement retain process is simple and no need for sand-blasting.
- Four convex is good for precise positioning.
- Package Unit: Abutment+screw

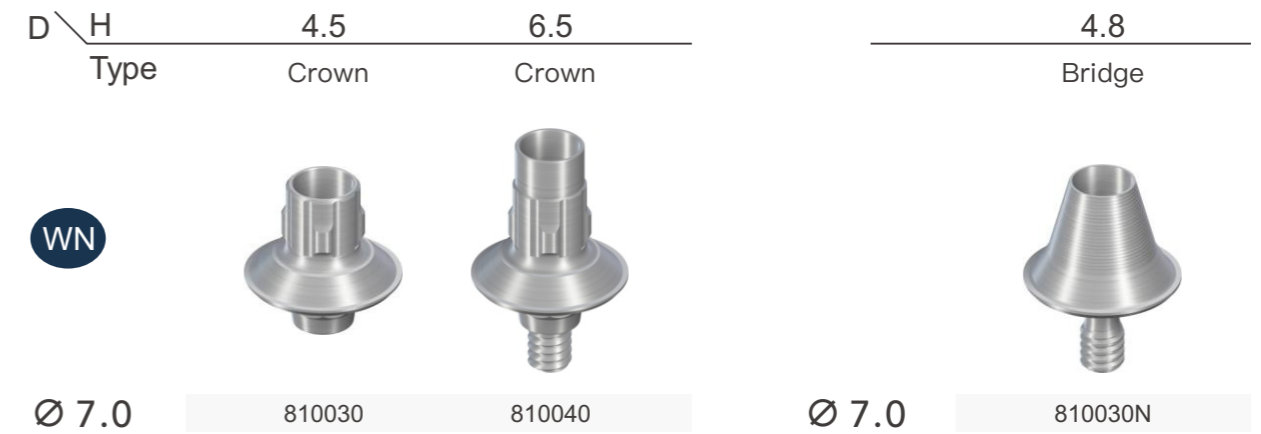


BC Tissue Level implant

- RN** Regular Neck
- WN** Wide Neck

BC Bone Level Implant

- NC** Narrow Connection
- RC** Regular Connection



Scanbody

- Model can be taken by oral scan, saving time of intraoral impression taken and reverse impression, so patient has high comfort.

BC Tissue Level Implant

- RN** Regular Neck
- WN** Wide Neck

D \ H 10

RN



Ø 4.8

860010

D \ H 10

WN



Ø 6.5

860020

BC Bone Level Implant

- NC** Narrow Connection
- RC** Regular Connection

D \ H 10

NC



Ø 3.5

861010

D \ H 10

RC



Ø 4.1

861020